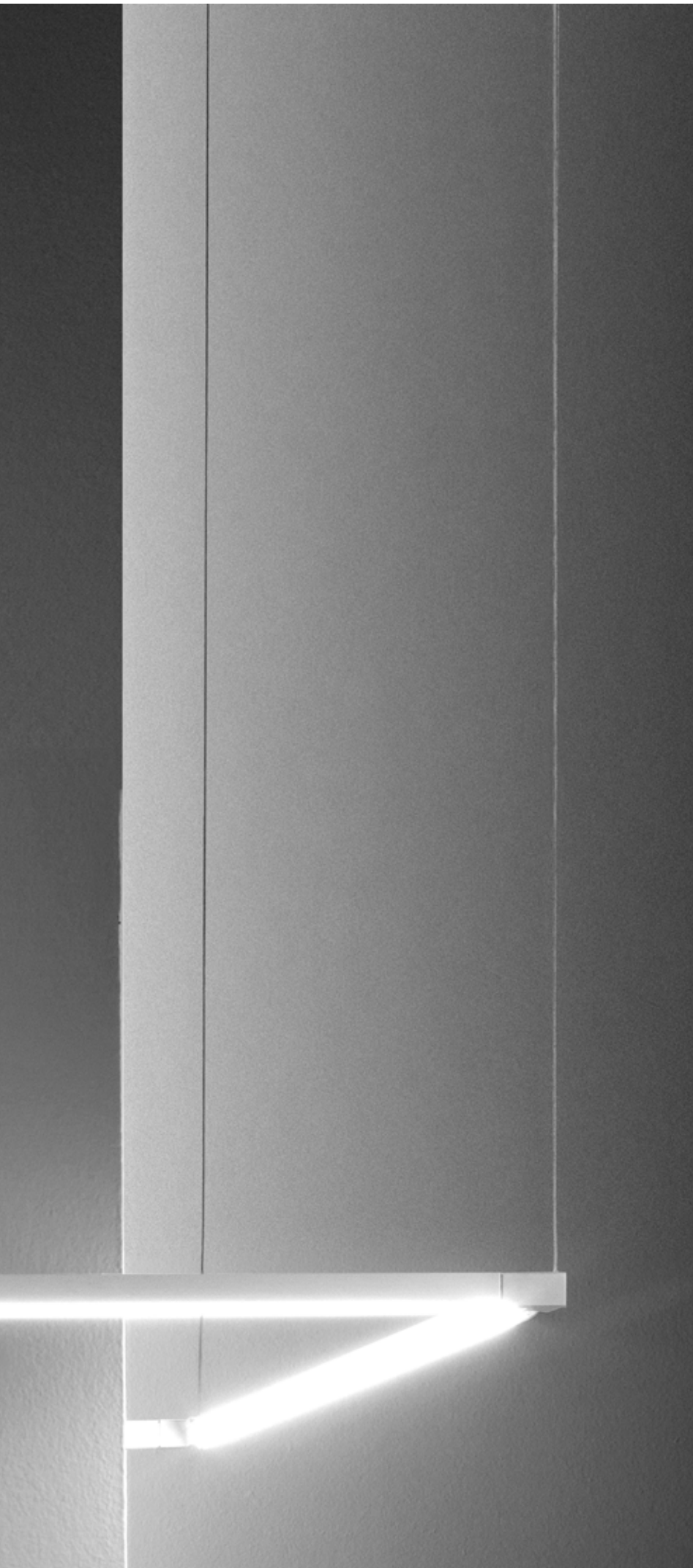


**NEMO** STUDIO  
THE LINE SCAPES  
SYSTEM

**NEMO**STUDIO

THE LINE SCAPES  
SYSTEM





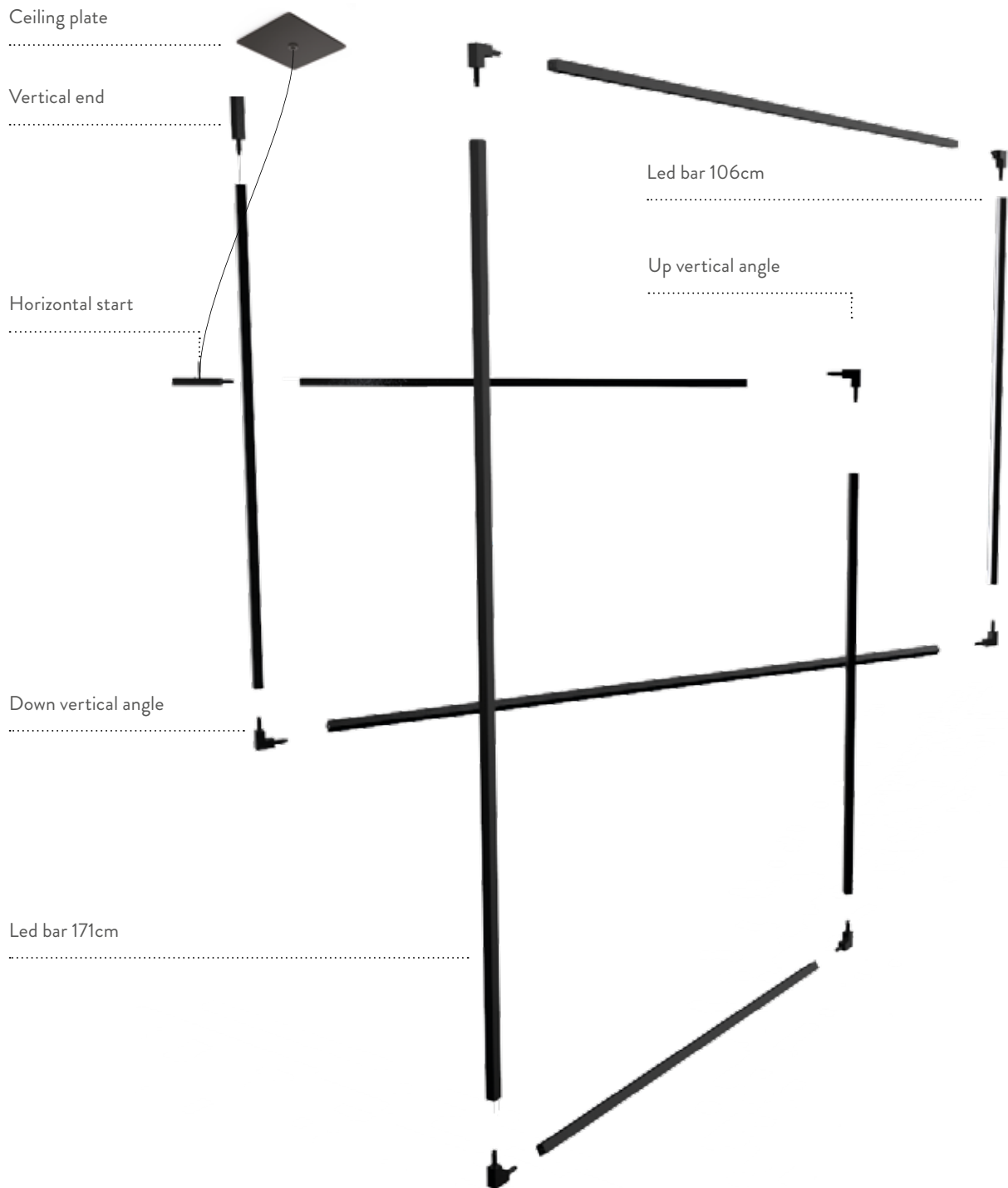
*Linescapes is a modular system that is completely changing the approach to high performance diffused direct and indirect lighting. The singular modules are connected by quick ABS connectors, which enable rapid installation and a free 360° rotation.*





*The different elements allow the composition of continuous lines and edges, with a luminous efficiency and an excellent diffusion degree, through an opaline diffuser in polycarbonate. The system has been studied to provide user friendly maintenance. Nemo has efficiently solved the problem of replacing LED built-in sources, whereby the compromised lighting elements can be easily changed.*









*SUPERSTANE  
Lille 2019  
Ph. Stéphane Waroczyk*



*STIRNBERG ESTEVE*  
*Parigi 2019*  
*Ph. Theo Baulig*



# 01

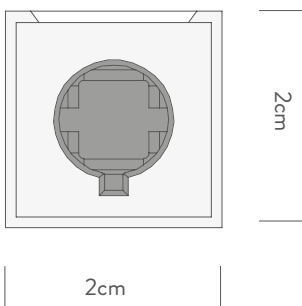
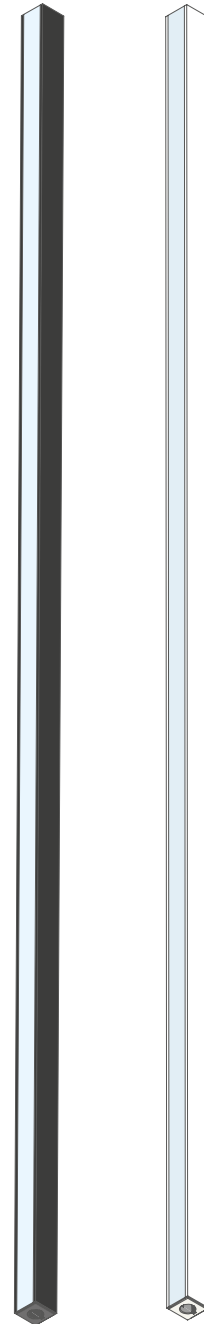
## SEGMENT

LED - WING - LINK - SPOT

*The Segment section includes three types of lighting sources, one with plain diffused LED light, another with wings that increase the visual comfort reducing the glare effect and the latter with spots for accent light. In addition, there is also a blind bar that is used only as a link.*

# SEGMENT | LED

Standard LED line, for a diffused light.  
Aluminium body, black and white powder coated  
painting finish. Opal white polycarbonate diffuser  
with a high transmittance value.  
High efficiency LED strip.



**171cm / 3000K**

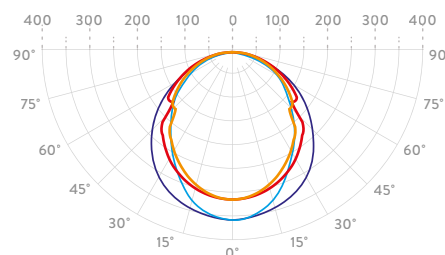
Linear LED | diffused orientable | 33W | 1765lm  
typ CRI 80 | CCT 3000K | 24V DC

- LSS LN1 51 black
- LSS LW1 51 white

**171cm / 2700K**

Linear LED | diffused orientable | 33W | 1765lm  
typ CRI 80 | CCT 2700K | 24V DC

- LSS LN5 51 black
- LSS LW5 51 white



● 3000K  
● 2700K

**106cm / 3000K**

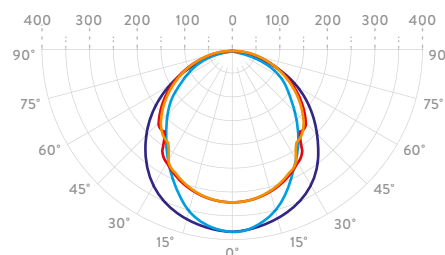
Linear LED | diffused orientable | 19W | 1125lm  
typ CRI 80 | CCT 3000K | 24V DC

- LSS LN2 51 black
- LSS LW2 51 white

**106cm / 2700K**

Linear LED | diffused orientable | 19W | 1125lm  
typ CRI 80 | CCT 2700K | 24V DC

- LSS LN6 51 black
- LSS LW6 51 white



● 3000K  
● 2700K

**56cm / 3000K**

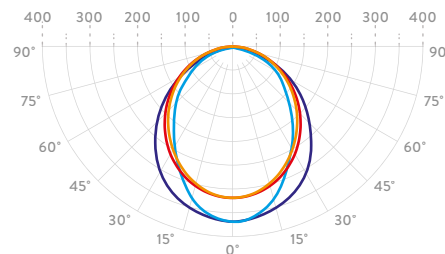
Linear LED | diffused orientable | 9,5W | 600lm  
typ CRI 80 | CCT 3000K | 24V DC

- LSS LN3 51 black
- LSS LW3 51 white

**56cm / 2700K**

Linear LED | diffused orientable | 9,5W | 600lm  
typ CRI 80 | CCT 2700K | 24V DC

- LSS LN7 51 black
- LSS LW7 51 white



● 3000K  
● 2700K

**36cm / 3000K**

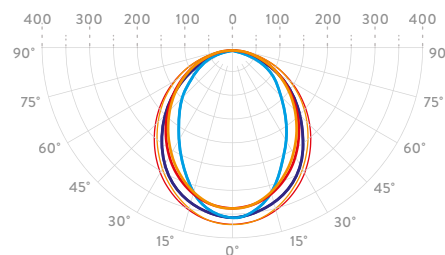
Linear LED | diffused orientable | 6W | 335lm  
typ CRI 80 | CCT 3000K | 24V DC

- LSS LN4 51 black
- LSS LW4 51 white

**36cm / 2700K**

Linear LED | diffused orientable | 6W | 335lm  
typ CRI 80 | CCT 2700K | 24V DC

- LSS LN8 51 black
- LSS LW8 51 white



● 3000K  
● 2700K



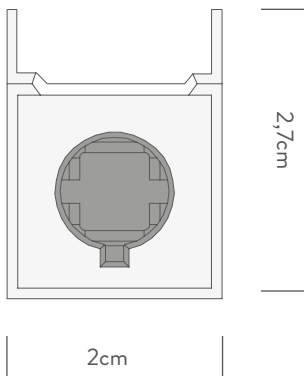
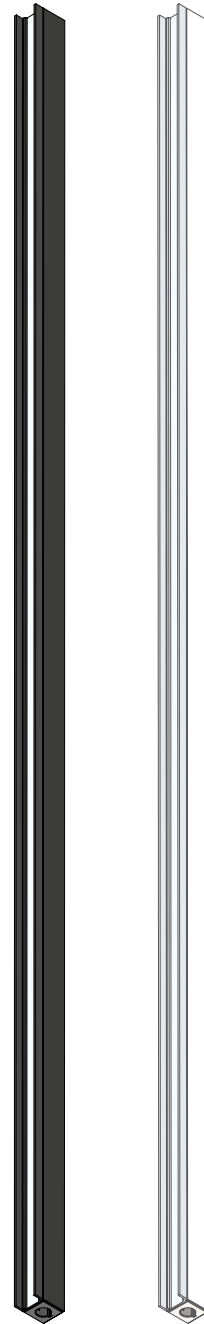




# SEGMENT | WING

Custom diffuser LED bar realized in aluminium black or white painted. The diffuser, obtained by a co-extrusion of polycarbonate, has black or white wings according to the body finish.

The wings help to reduce the glare and to improve the visual comfort.



**171cm / 3000K**

Linear LED | diffused orientable | 33W | 1765lm  
typ CRI 80 | CCT 3000K | 24V DC

- LSS UN1 51 black
- LSS UW1 51 white

**171cm / 2700K**

Linear LED | diffused orientable | 33W | 1765lm  
typ CRI 80 | CCT 2700K | 24V DC

- LSS UN5 51 black
- LSS UW5 51 white



**106cm / 3000K**

Linear LED | diffused orientable | 19W | 1125lm  
typ CRI 80 | CCT 3000K | 24V DC

- LSS UN2 51 black
- LSS UW2 51 white

**106cm / 2700K**

Linear LED | diffused orientable | 19W | 1125lm  
typ CRI 80 | CCT 2700K | 24V DC

- LSS UN6 51 black
- LSS UW6 51 white



**56cm / 3000K**

Linear LED | diffused orientable | 9,5W | 600lm  
typ CRI 80 | CCT 3000K | 24V DC

- LSS UN3 51 black
- LSS UW3 51 white

**56cm / 2700K**

Linear LED | diffused orientable | 9,5W | 600lm  
typ CRI 80 | CCT 2700K | 24V DC

- LSS UN7 51 black
- LSS UW7 51 white



**36cm / 3000K**

Linear LED | diffused orientable | 6W | 335lm  
typ CRI 80 | CCT 3000K | 24V DC

- LSS UN4 51 black
- LSS UW4 51 white

**36cm / 2700K**

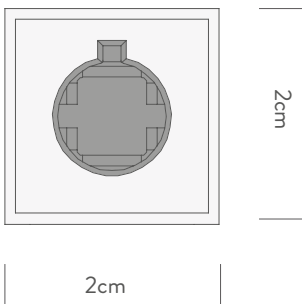
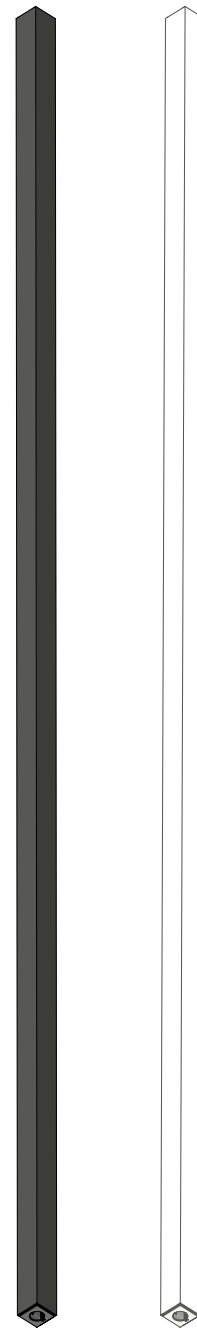
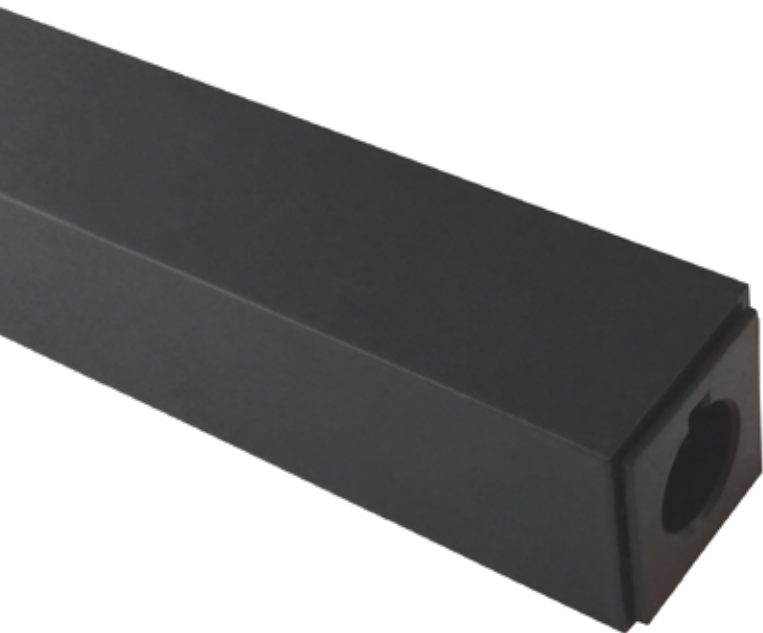
Linear LED | diffused orientable | 6W | 335lm  
typ CRI 80 | CCT 2700K | 24V DC

- LSS UN8 51 black
- LSS UW8 51 white



# SEGMENT | LINK

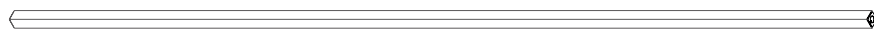
The not illuminating segment has been created to allow the creation of more articulated compositions, obtaining different atmospheres within the same design. 20mm square section aluminium rod. Black and white finishes, available in four dimensions. Only suitable for 24V use.



**171cm**

Linear CONNECTION | orientable | 24V DC

- LSS BN1 51 black
- LSS BW1 51 white



**106cm**

Linear CONNECTION | orientable | 24V DC

- LSS BN2 51 black
- LSS BW2 51 white



**56cm**

Linear CONNECTION | orientable | 24V DC

- LSS BN3 51 black
- LSS BW3 51 white



**36cm**

Linear CONNECTION | orientable | 24V DC

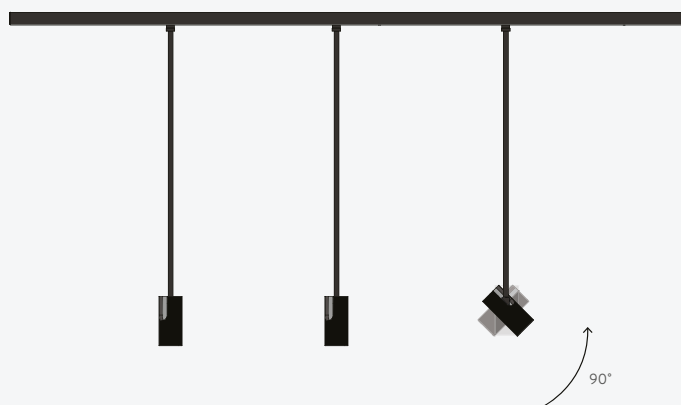
- LSS BN4 51 black
- LSS BW4 51 white



# SEGMENT | SPOT

Spot modules are proposed in two sizes, with or without vertical 40cm tiges, 106cm with three or four spots and 56cm with two. Modules are proposed in black and white finishes. The spots are composed by aluminium body, a 4W star chip LED and a 15° PMMA optic. The head junction allows 90° x 340° orientation.





**SPOT3 TIGE 106cm / 3000K**

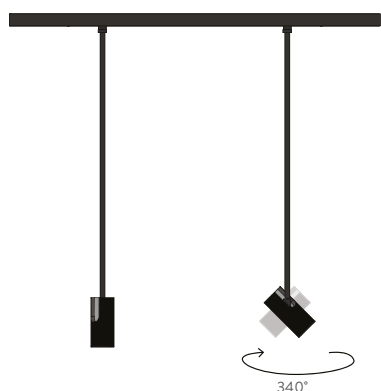
Spot LED | orientable | 3x4W | 3x400lm  
typ CRI 90 | CCT 3000K | 24V DC

- LSS SN4 51 black
- LSS SW4 51 white

**SPOT3 TIGE 106cm / 2700K**

Spot LED | orientable | 3x4W | 3x400lm  
typ CRI 90 | CCT 2700K | 24V DC

- LSS SN2 51 black
- LSS SW2 51 white



**SPOT2 TIGE 56cm / 3000K**

Spot LED | orientable | 2x4W | 2x400lm  
typ CRI 90 | CCT 3000K | 24V DC

- LSS SN3 51 black
- LSS SW3 51 white

**SPOT2 TIGE 56cm / 2700K**

Spot LED | orientable | 2x4W | 2x400lm  
typ CRI 90 | CCT 2700K | 24V DC

- LSS SN1 51 black
- LSS SW1 51 white



**SPOT4 106cm / 3000K**

Spot LED | orientable | 4x4W | 4x400lm  
typ CRI 90 | CCT 3000K | 24V DC

- LSS SN8 51 black
- LSS SW8 51 white

**SPOT4 106cm / 2700K**

Spot LED | orientable | 4x4W | 4x400lm  
typ CRI 90 | CCT 2700K | 24V DC

- LSS SN6 51 black
- LSS SW6 51 white



**SPOT2 56cm / 3000K**

Spot LED | orientable | 2x4W | 2x400lm  
typ CRI 90 | CCT 3000K | 24V DC

- LSS SN7 51 black
- LSS SW7 51 white

**SPOT2 56cm / 2700K**

Spot LED | orientable | 2x4W | 2x400lm  
typ CRI 90 | CCT 2700K | 24V DC

- LSS SN5 51 black
- LSS SW5 51 white

# SEGMENT | SPOT









# 02

## CONNECTION

T-SHAPE - L-SHAPE - LINEAR - WALL/CEILING

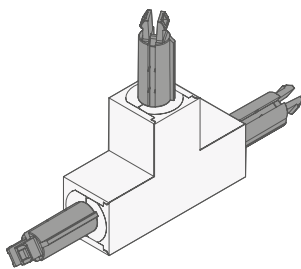
*The Connection section includes four families of modules, that are able to join the segments: the L-Shape, the T-Shape, the Linear and the Wall/Ceiling fastenings.*

# CONNECTION | T-SHAPE

Connection elements built in PC+ABS with two or three jacks. Available in black or white liquid painted finish. Metal fixing accessories included (wire max length 3 meters).

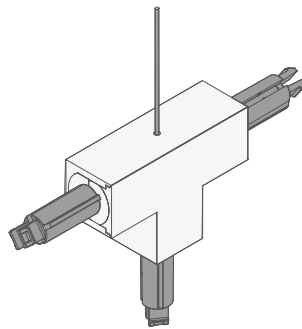


**STEEL CEILING  
CABLE FIXING**  
cable max 3 meters



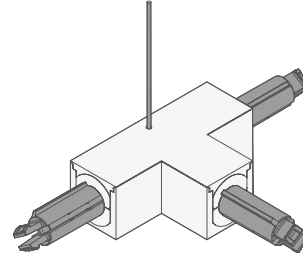
**T DOWN VERTICAL**

- LSS TN1 51 black
- LSS TW1 51 white



**T UP VERTICAL**

- LSS TN2 51 black
- LSS TW2 51 white



**T HORIZONTAL**

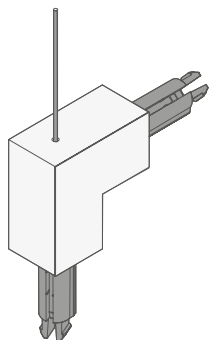
- LSS TN3 51 black
- LSS TW3 51 white



# CONNECTION | L-SHAPE

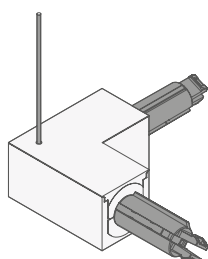


**STEEL CEILING  
CABLE FIXING**  
cable max 3 meters



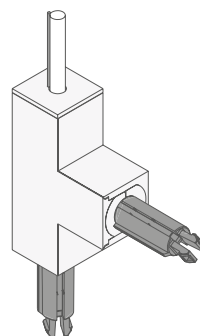
**UP VERTICAL ANGLE**

- LSS AN1 51 black
- LSS AW1 51 white



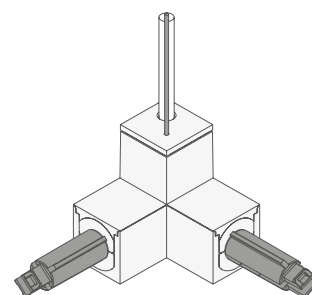
**HORIZONTAL ANGLE**

- LSS AN3 51 black
- LSS AW3 51 white



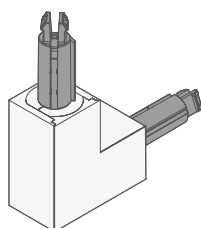
**VERTICAL ANGLE  
SUPPLY**

- LSS AN4 51 black
- LSS AW4 51 white



**HORIZONTAL ANGLE  
SUPPLY**

- LSS AN5 51 black
- LSS AW5 51 white



**DOWN VERTICAL ANGLE**

- LSS AN2 51 black
- LSS AW2 51 white





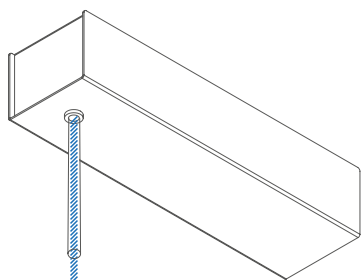


SUPERSTANE  
Lille 2019

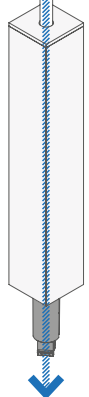
Ph. Stéphane Waroczyk

# CONNECTION | LINEAR



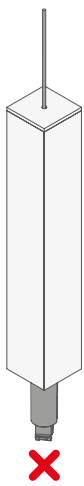
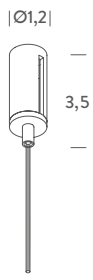


**STEEL CEILING  
CABLE FIXING**  
cable max 3 meters



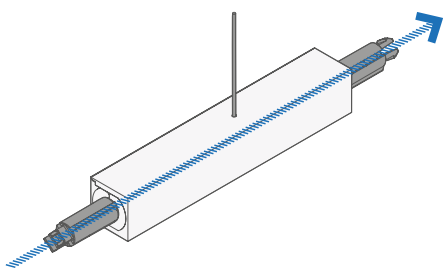
**VERTICAL START**

- LSS CN1 51 black
- LSS CW1 51 white



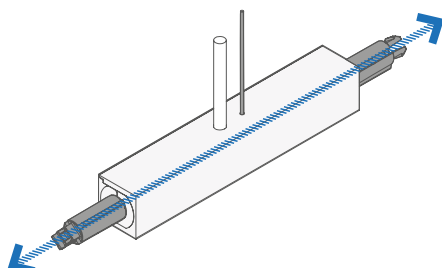
**VERTICAL END**

- LSS CN6 51 black
- LSS CW6 51 white



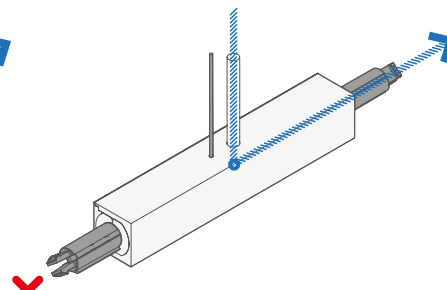
**CENTRAL**

- LSS CN5 51 black
- LSS CW5 51 white



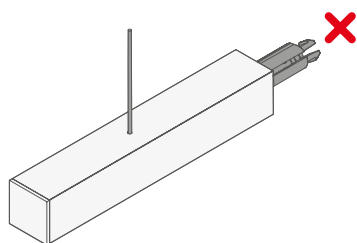
**CENTRAL SUPPLY**

- LSS CN4 51 black
- LSS CW4 51 white



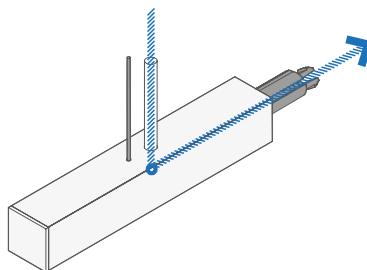
**CENTRAL ONE WAY**

- LSS CN7 51 black
- LSS CW7 51 white



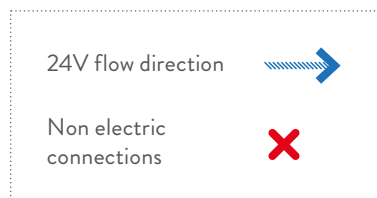
**HORIZONTAL END**

- LSS CN3 51 black
- LSS CW3 51 white



**HORIZONTAL START**

- LSS CN2 51 black
- LSS CW2 51 white





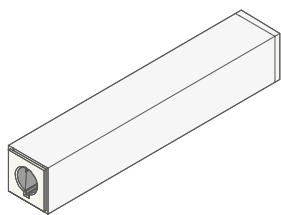
# CONNECTION | WALL/CEILING END

The wall/ceiling fixing accessories are realized in painted aluminium, they allow to achieve different compositions based on the other connectors used. Start module lets the system be powered by a remote 24V source.



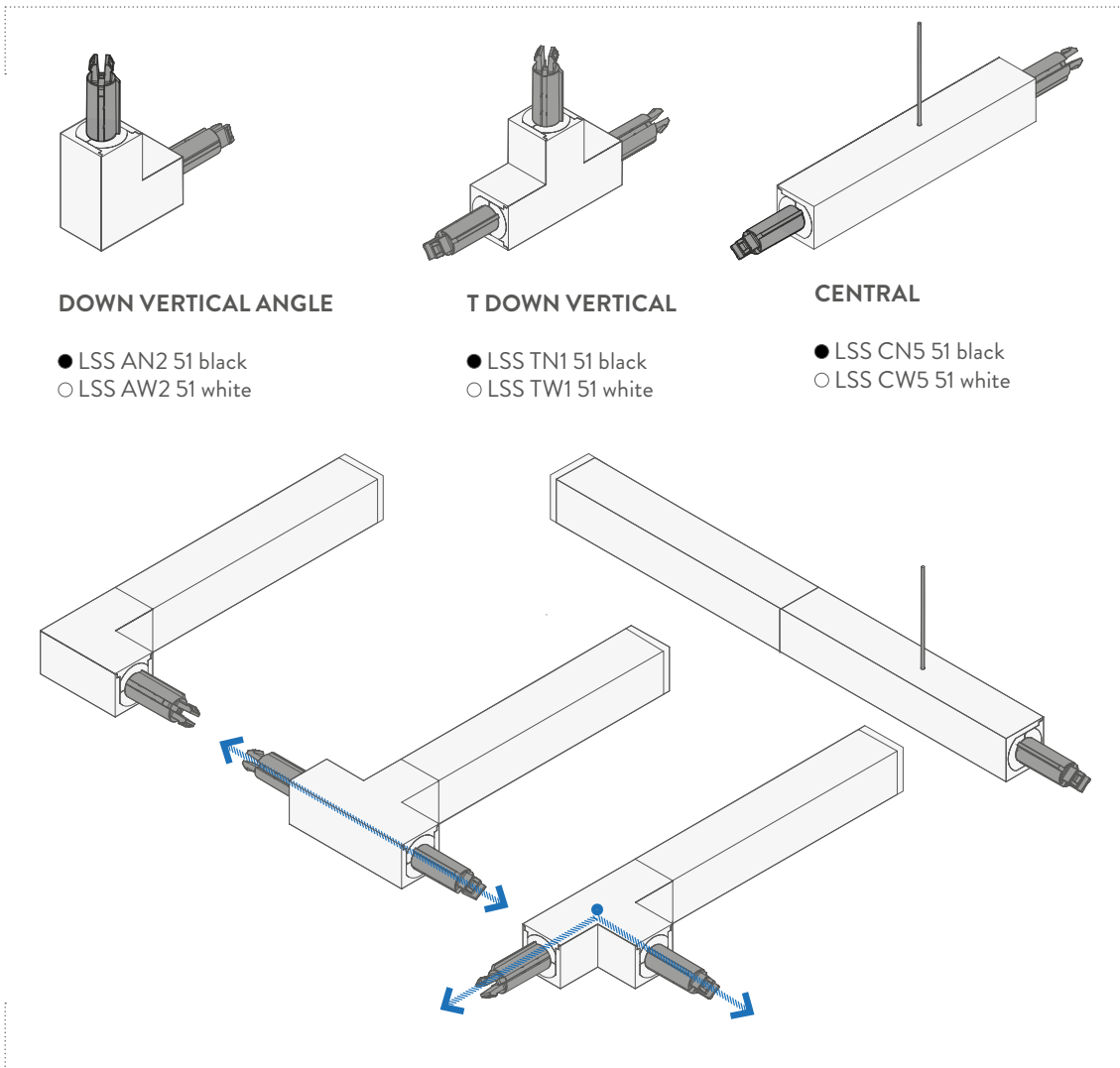
WALL/CEILING | END





**WALL/CEILING END**

- LSS FN1 41 black
- LSS FW1 41 white



**DOWN VERTICAL ANGLE**

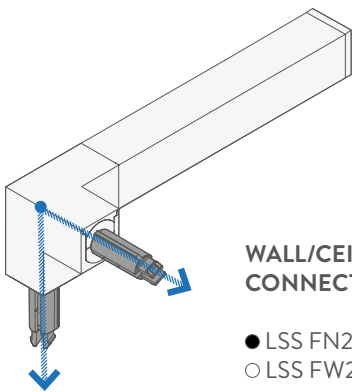
- LSS AN2 51 black
- LSS AW2 51 white

**T DOWN VERTICAL**

- LSS TN1 51 black
- LSS TW1 51 white

**CENTRAL**

- LSS CN5 51 black
- LSS CW5 51 white



**WALL/CEILING END + XYZ CONNECTOR**

- LSS FN2 41 black
- LSS FW2 41 white

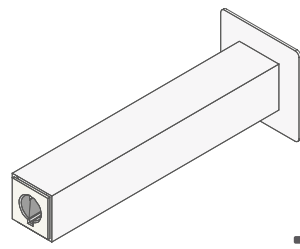
24V flow direction



# CONNECTION | WALL/CEILING START

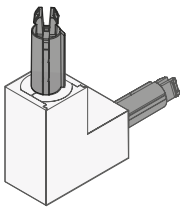
WALL/CEILING | START





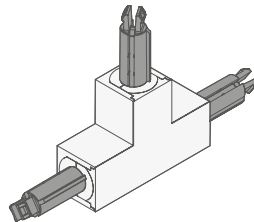
**WALL/CEILING START**

- LSS FN3 41 black
- LSS FW3 41 white



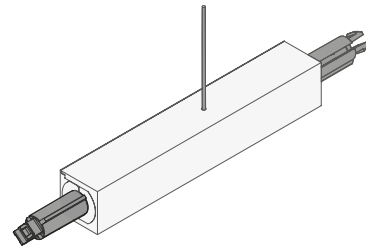
**DOWN VERTICAL ANGLE**

- LSS AN2 51 black
- LSS AW2 51 white



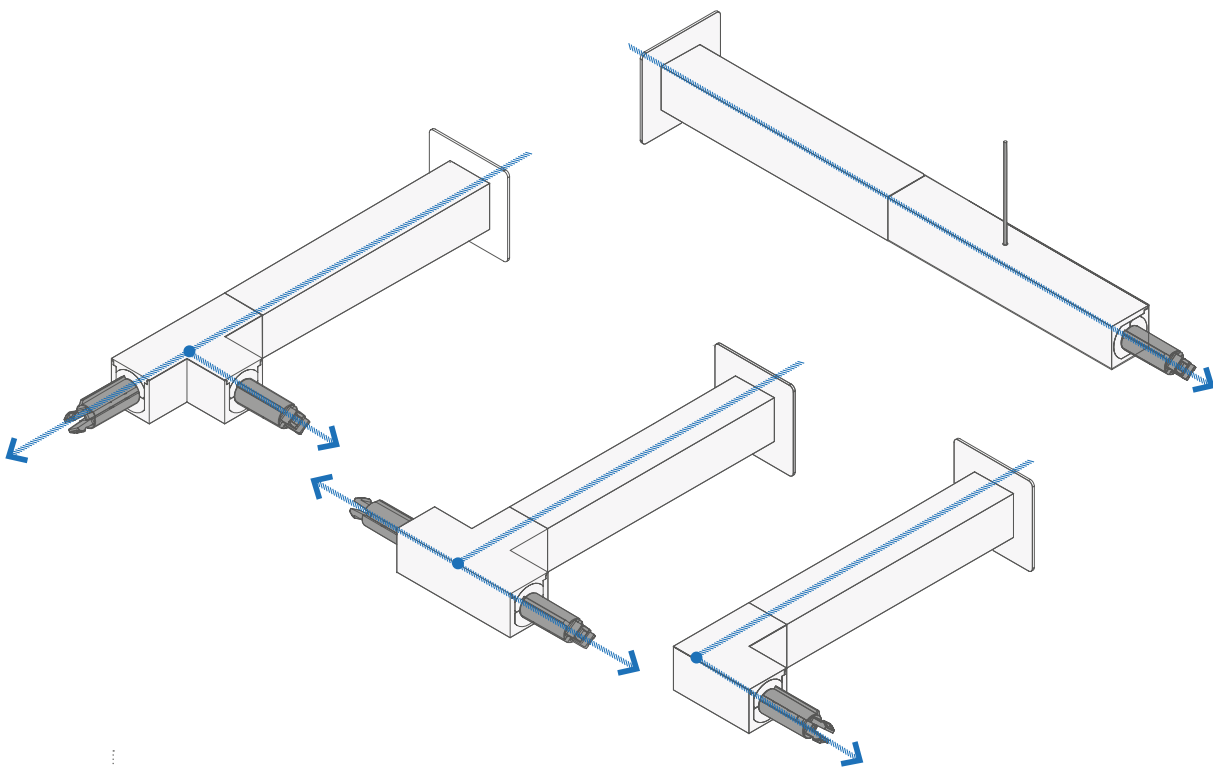
**T DOWN VERTICAL**

- LSS TN1 51 black
- LSS TW1 51 white



**CENTRAL**

- LSS CN5 51 black
- LSS CW5 51 white



24V flow direction





# 03

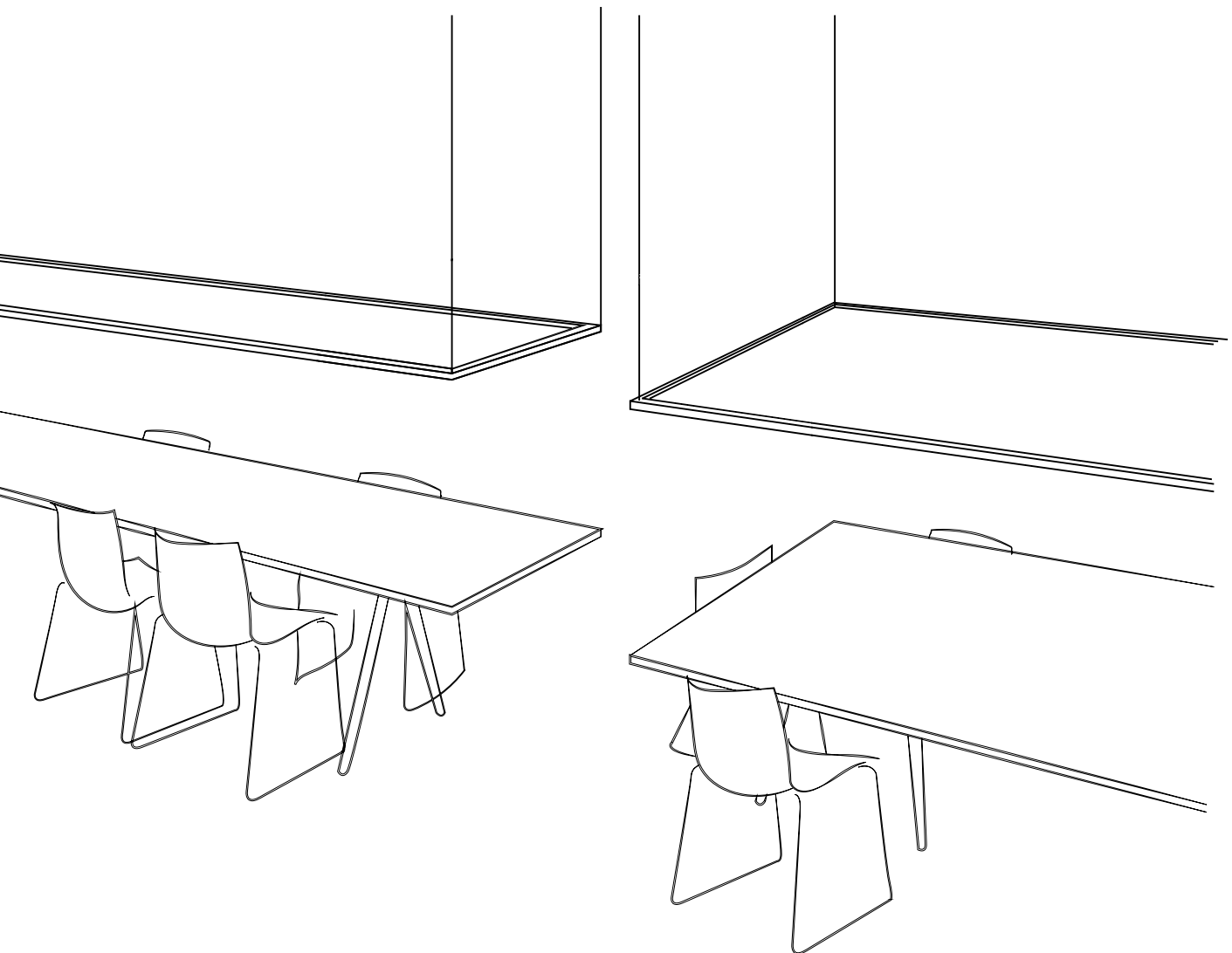
## DESK MATRIX

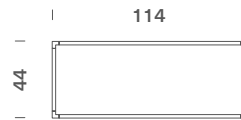
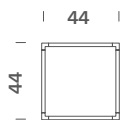
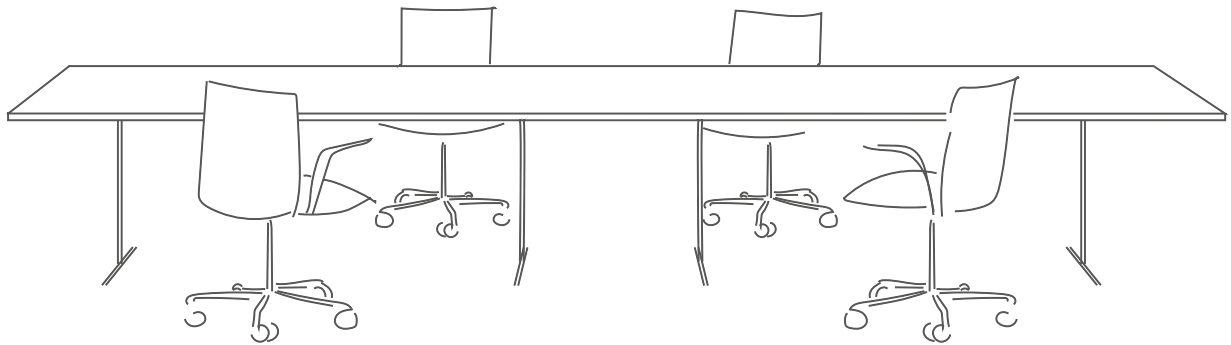
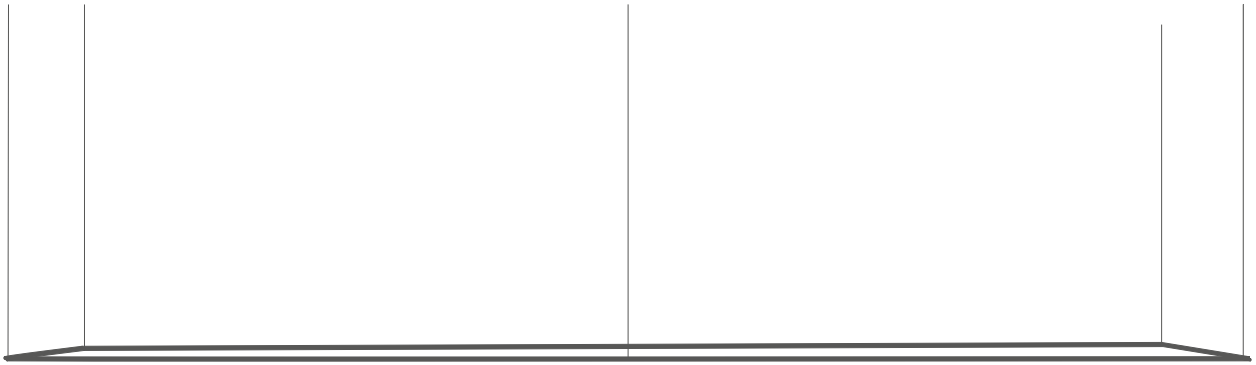
VERTICAL - HORIZONTAL

*Linescapes system can now be configured to create rectangular shapes, both vertical and horizontal, continuously enlightened, in order to complete a theoretically infinite number of table sizes or interior solutions.*

# DESK MATRIX

A complete solution to easily enlight spaces with infinite possibilities, 2700K or 3000K, black or white, rectangles and squares ready to be installed. Compositions comes with all the necessary items to work, 1-10 V dimmable driver and its case included.





#### 44x44 cm

Linear LED | diffused  
orientable | 24W | 1340lm |  
typ CRI 80 | dimmable 1-10V  
| 110/240V

*note* driver included,  
adjustable cable length 3m

#### CCT 2700K HORIZONTAL

- LSH LN2 51 black
- LSH LW2 51 white

#### CCT 2700K VERTICAL

- LSV LN2 51 black
- LSV LW2 51 white

#### CCT 3000K HORIZONTAL

- LSH LN3 51 black
- LSH LW3 51 white

#### CCT 3000K VERTICAL

- LSV LN3 51 black
- LSV LW3 51 white

#### 64x44 cm

Linear LED | diffused  
orientable | 31W | 1870lm |  
typ CRI 80 | dimmable 1-10V  
| 110/240V

*note* driver included,  
adjustable cable length 3m

#### CCT 2700K HORIZONTAL

- LSH LN2 55 black
- LSH LW2 55 white

#### CCT 2700K VERTICAL

- LSV LN2 55 black
- LSV LW2 55 white

#### CCT 3000K HORIZONTAL

- LSH LN3 55 black
- LSH LW3 55white

#### CCT 3000K VERTICAL

- LSV LN3 55 black
- LSV LW3 55 white

#### 114x44 cm

Linear LED | diffused  
orientable | 50W | 2920lm |  
typ CRI 80 | dimmable 1-10V  
| 110/240V

*note* driver included,  
adjustable cable length 3m

#### CCT 2700K HORIZONTAL

- LSH LN2 58 black
- LSH LW2 58 white

#### CCT 2700K VERTICAL

- LSV LN2 58 black
- LSV LW2 58 white

#### CCT 3000K HORIZONTAL

- LSH LN3 58 black
- LSH LW3 58 white

#### CCT 3000K VERTICAL

- LSV LN3 58 black
- LSV LW3 58 white

#### 178x44 cm

Linear LED | diffused  
orientable | 78W | 4200lm |  
typ CRI 80 | dimmable 1-10V  
| 110/240V

*note* driver included,  
adjustable cable length 3m

#### CCT 2700K HORIZONTAL

- LSH LN2 5A black
- LSH LW2 5A white

#### CCT 2700K VERTICAL

- LSV LN2 5A black
- LSV LW2 5A white

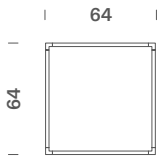
#### CCT 3000K HORIZONTAL

- LSH LN3 5A black
- LSH LW3 5A white

#### CCT 3000K VERTICAL

- LSV LN3 5A black
- LSV LW3 5A white





#### 64x64 cm

Linear LED | diffused orientable | 38W | 2400lm | typ CRI 80 | dimmable 1-10 V | 110/240V  
*note* driver included, adjustable cable length 3m

CCT 2700K HORIZONTAL

- LSH LN2 52 black
- LSH LW2 52 white

CCT 2700K VERTICAL

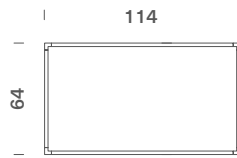
- LSV LN2 52 black
- LSV LW2 52 white

CCT 3000K HORIZONTAL

- LSH LN3 52 black
- LSH LW3 52 white

CCT 3000K VERTICAL

- LSV LN3 52 black
- LSV LW3 52 white



#### 114x64 cm

Linear LED | diffused orientable | 57W | 3450lm | typ CRI 80 | dimmable 1-10 V | 110/240V  
*note* driver included, adjustable cable length 3m

CCT 2700K HORIZONTAL

- LSH LN2 56 black
- LSH LW2 56 white

CCT 2700K VERTICAL

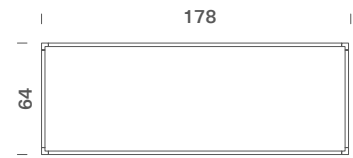
- LSV LN2 56 black
- LSV LW2 56 white

CCT 3000K HORIZONTAL

- LSH LN3 56 black
- LSH LW3 56 white

CCT 3000K VERTICAL

- LSV LN3 56 black
- LSV LW3 56 white



#### 178x64 cm

Linear LED | diffused orientable | 85W | 4730lm | typ CRI 80 | dimmable 1-10 V | 110/240V  
*note* driver included, adjustable cable length 3m

CCT 2700K HORIZONTAL

- LSH LN2 59 black
- LSH LW2 59 white

CCT 2700K VERTICAL

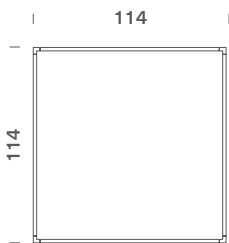
- LSV LN2 59 black
- LSV LW2 59 white

CCT 3000K HORIZONTAL

- LSH LN3 59 black
- LSH LW3 59 white

CCT 3000K VERTICAL

- LSV LN3 59 black
- LSV LW3 59 white



#### 114x114 cm

Linear LED | diffused orientable | 76W | 4500lm | typ CRI 80 | dimmable 1-10 V | 110/240V  
*note* driver included, adjustable cable length 3m

CCT 2700K HORIZONTAL

- LSH LN2 53 black
- LSH LW2 53 white

CCT 2700K VERTICAL

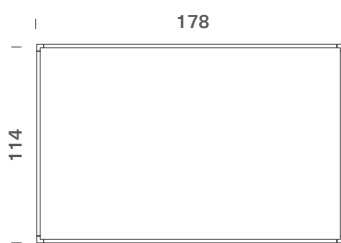
- LSV LN2 53 black
- LSV LW2 53 white

CCT 3000K HORIZONTAL

- LSH LN3 53 black
- LSH LW3 53 white

CCT 3000K VERTICAL

- LSV LN3 53 black
- LSV LW3 53 white



#### 178x114 cm

Linear LED | diffused orientable | 104W | 5780lm | typ CRI 80 | dimmable 1-10 V | 110/240V  
*note* driver included, adjustable cable length 3m

CCT 2700K HORIZONTAL

- LSH LN2 57 black
- LSH LW2 57 white

CCT 2700K VERTICAL

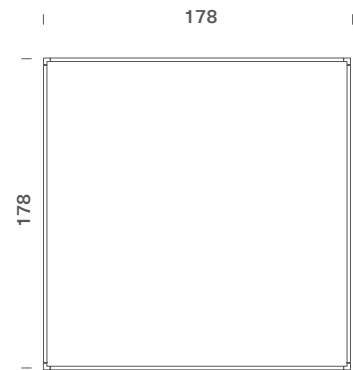
- LSV LN2 57 black
- LSV LW2 57 white

CCT 3000K HORIZONTAL

- LSH LN3 57 black
- LSH LW3 57 white

CCT 3000K VERTICAL

- LSV LN3 57 black
- LSV LW3 57 white



#### 178x178 cm

Linear LED | diffused orientable | 132W | 7060lm | typ CRI 80 | dimmable 1-10 V | 110/240V  
*note* driver included, adjustable cable length 3m

CCT 2700K HORIZONTAL

- LSH LN2 54 black
- LSH LW2 54 white

CCT 2700K VERTICAL

- LSV LN2 54 black
- LSV LW2 54 white

CCT 3000K HORIZONTAL

- LSH LN3 54 black
- LSH LW3 54 white

CCT 3000K VERTICAL

- LSV LN3 54 black
- LSV LW3 54 white





# 04

## ACCESSORIES

BOX - CEILING PLATE - CANOPY - REMOTE

*The Accessories section shows the different possibilities to link the whole system to the main current: directly with a ceiling connected power supply or with remote driver installations.*

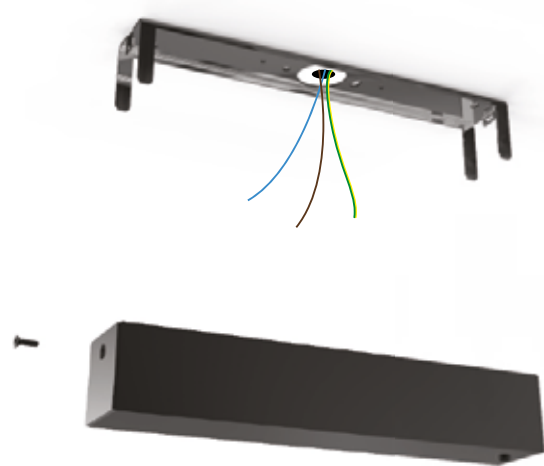
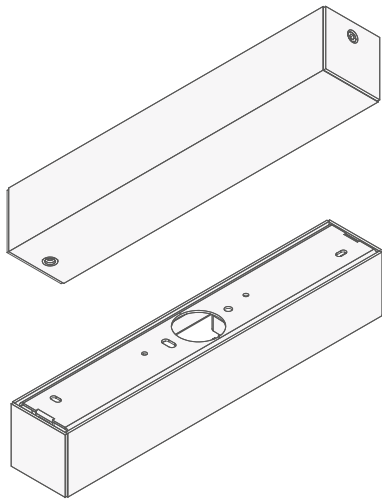
# ACCESSORY | BOX

Power boxes come in two different sizes, 60W and 90W, that allow to compose 3 and 4m systems respectively. The metal boxes are painted black and white. Both the drivers are dimmable 1-10V.



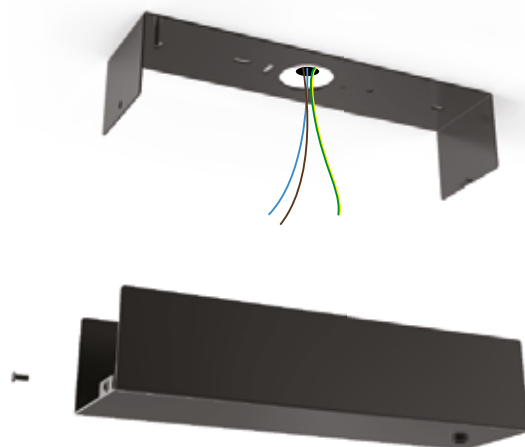
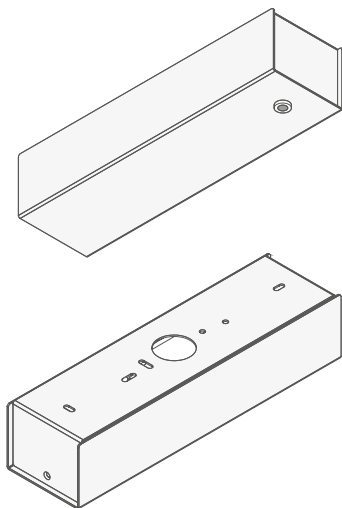
**60W 1-10V**

- LSS PN6 51 black
- LSS PW6 51 white



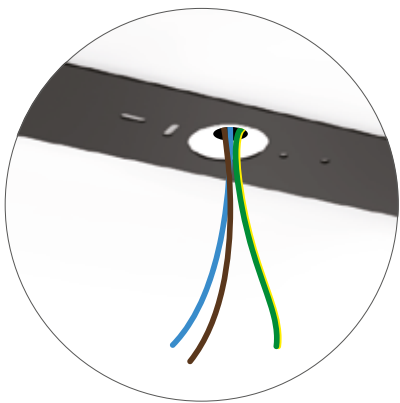
**90W 1-10V**

- LSS PN9 51 black
- LSS PW9 51 white



# ACCESSORY | DIMMER

## ON/OFF SWITCH INSTALLATION



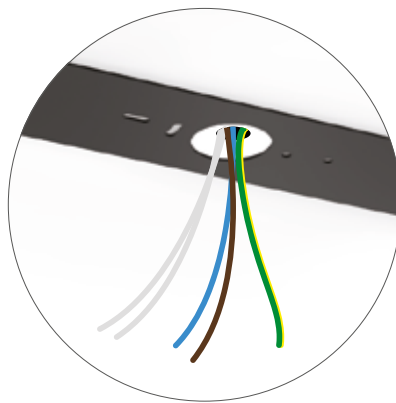
### 3 WIRES

LINE 

NEUTRAL 

GROUND 

## 1-10V DIMMING INSTALLATION



### 5 WIRES

LINE 

NEUTRAL 

GROUND 

1-10V | V+   
| V- 

# ACCESSORY | REMOTE

## CANOPY

PC+ABS for standard ceiling mounting and remote 24V drivers application.

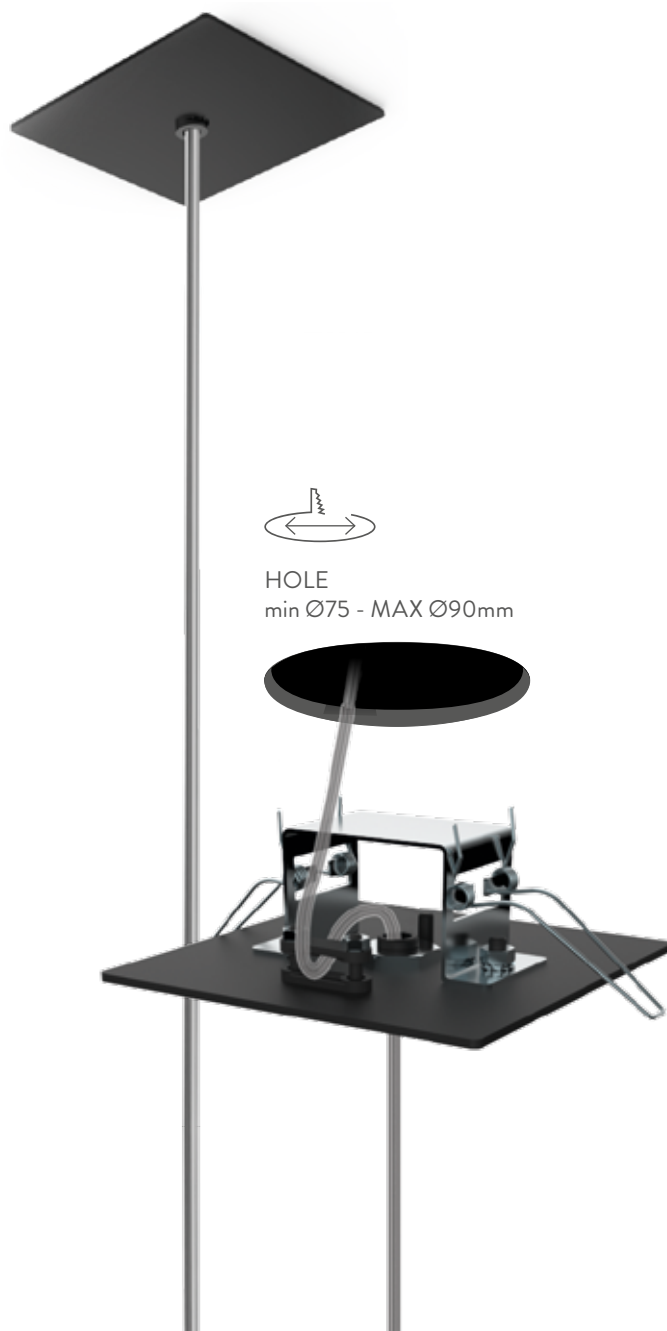
- ROS KNN 51 black
- ROS KWW 51 white



## CEILING PLATE

The painted metal plate is designed for false ceiling installation and remote 24V drivers supply.

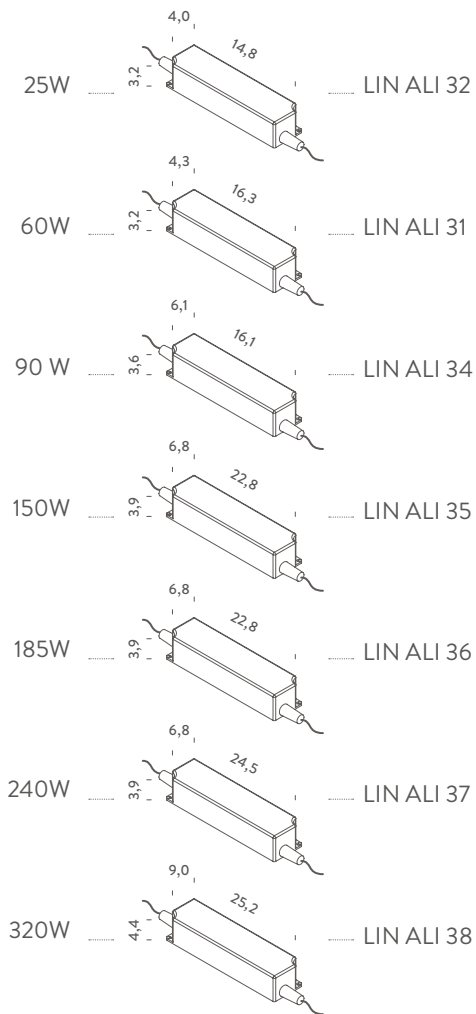
- LSS PNR 51 black
- LSS PWR 51 white



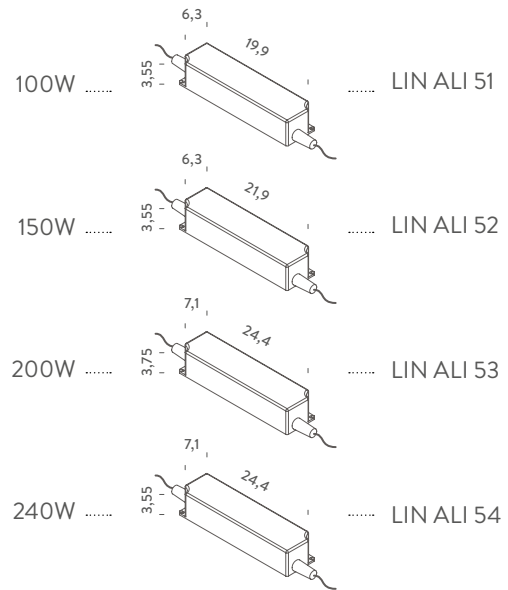


# ACCESSORY | REMOTE DRIVER

## 1-10V



## DALI



*Empty box for remote driver up to 240W*

- ROS LNN 51 black
- ROS LWW 51 white



Notes:  
110/230V input, 24V output, IP65  
Consider an average power consumption of ~20W/m

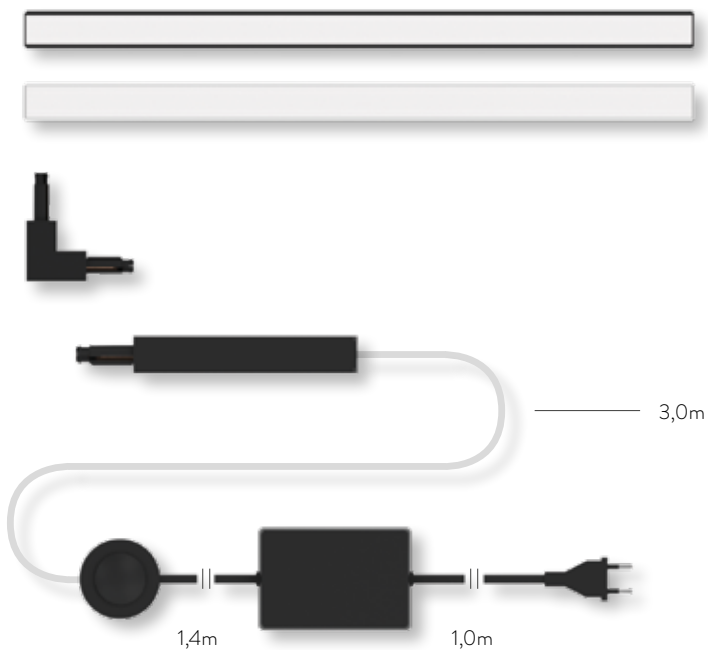
# ACCESSORY | DISPLAY BOX



Nemo offers a presentation tool to better promote and explain the linescapes system. The box comes with two LED segments and a L-Shape connector. The set is completed by a push dimmable driver connected to a vertical start.

## DISPLAY BOX

○ LSS VAL 99



## LED SEGMENTS

### 171CM

Linear LED | diffused orientable  
360° | 33W | 1765lm | typ cri 80 |  
24V DC

CCT 2700K

○ LSS LW5 51 structure white

● LSS LN5 51 structure black

CCT 3000K

○ LSS LW1 51 structure white

● LSS LN1 51 structure black

### 106CM

Linear LED | diffused orientable  
360° | 19W | 1125lm | typ cri 80 |  
24V DC

CCT 2700K

○ LSS LW6 51 structure white

● LSS LN6 51 structure black

CCT 3000K

○ LSS LW2 51 structure white

● LSS LN2 51 structure black

### 56CM

Linear LED | diffused orientable  
360° | 9,5W | 600lm | typ cri 80 |  
24V DC

CCT 2700K

○ LSS LW7 51 structure white

● LSS LN 7 51 structure black

CCT 3000K

○ LSS LW3 51 structure white

● LSS LN3 51 structure black

### 36CM

Linear LED | diffused orientable  
360° | 6W | 335lm | typ cri 80 |  
24V DC

CCT 2700K

○ LSS LW8 51 structure white

● LSS LN8 51 structure black

CCT 3000K

○ LSS LW4 51 structure white

● LSS LN4 51 structure black



## WING SEGMENTS

### 171CM

Linear LED | diffused orientable  
360° | 33W | 1765lm | typ cri 80 |  
24V DC

CCT 2700K

○ LSS UW5 51 structure white

● LSS UN5 51 structure black

CCT 3000K

○ LSS UW1 51 structure white

● LSS UN1 51 structure black

### 106CM

Linear LED | diffused orientable  
360° | 19W | 1125lm | typ cri 80 |  
24V DC

CCT 2700K

○ LSS UW6 51 structure white

● LSS UN6 51 structure black

CCT 3000K

○ LSS UW2 51 structure white

● LSS UN2 51 structure black

### 56CM

Linear LED | diffused orientable  
360° | 9,5W | 600lm | typ cri 80 |  
24V DC

CCT 2700K

○ LSS UW7 51 structure white

● LSS UN7 51 structure black

CCT 3000K

○ LSS UW3 51 structure white

● LSS UN3 51 structure black

### 36CM

Linear LED | diffused orientable  
360° | 6W | 335lm | typ cri 80 |  
24V DC

CCT 2700K

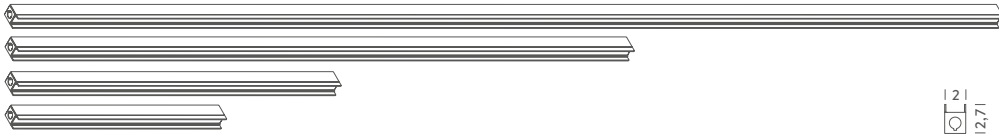
○ LSS UW8 51 structure white

● LSS UN8 51 structure black

CCT 3000K

○ LSS UW4 51 structure white

● LSS UN4 51 structure black



## CONNECTION SEGMENTS

### 171CM

○ LSS BW1 51 structure white  
● LSS BN1 51 structure black

### 106CM

○ LSS BW2 51 structure white  
● LSS BN2 51 structure black

### 56CM

○ LSS BW3 51 structure white  
● LSS BN3 51 structure black

### 36CM

○ LSS BW4 51 structure white  
● LSS BN4 51 structure black

## SPOT SEGMENTS

### SPOT3 TIGE 106CM

LED SPOT 15° | diffused orientable  
3x4W | 3x400lm | typ cri 90 |  
24V DC

CCT 2700K

○ LSS SW2 51 structure white

● LSS SN2 51 structure black

CCT 3000K

○ LSS SW4 51 structure white

● LSS SN4 51 structure black

### SPOT2 TIGE 56CM

LED SPOT 15° | diffused orientable  
2x4W | 2x400lm | typ cri 90 |  
24V DC

CCT 2700K

○ LSS SW1 51 structure white

● LSS SN1 51 structure black

CCT 3000K

○ LSS SW3 51 structure white

● LSS SN3 51 structure black

### SPOT4 106CM

LED SPOT 15° | diffused orientable  
4x4W | 3x400m | typ cri 90 |  
24V DC

CCT 2700K

○ LSS SW6 51 structure white

● LSS SN6 51 structure black

CCT 3000K

○ LSS SW8 51 structure white

● LSS SN8 51 structure black

### SPOT2 56CM

LED SPOT 15° | diffused orientable  
2x4W | 2x400lm | typ cri 90 |  
24V DC

CCT 2700K

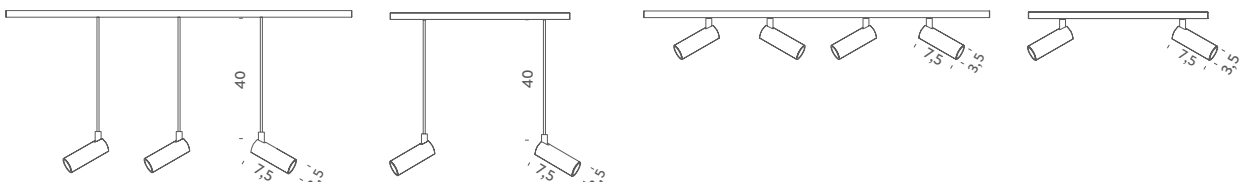
○ LSS SW5 51 structure white

● LSS SN5 51 structure black

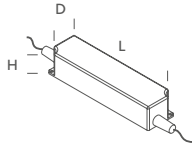
CCT 3000K

○ LSS SW7 51 structure white

● LSS SN7 51 structure black



## REMOTE DRIVERS



1-10V

25W / LIN ALI 32

L: 14,8 | D: 4,0 | H: 3,2

60W / LIN ALI 31

L: 16,8 | D: 4,3 | H: 3,2

90W / LIN ALI 34

L: 16,1 | D: 6,1 | H: 3,6

150W / LIN ALI 35

L: 22,8 | D: 6,8 | H: 3,9

185W / LIN ALI 36

L: 22,8 | D: 6,8 | H: 3,9

240W / LIN ALI 37

L: 24,5 | D: 6,8 | H: 3,9

320W / LIN ALI 38

L: 25,2 | D: 9,0 | H: 4,4

DALI

100W / LIN ALI 51

L: 19,9 | D: 6,3 | H: 3,55

150W / LIN ALI 52

L: 21,9 | D: 6,3 | H: 3,55

200W / LIN ALI 53

L: 24,4 | D: 7,1 | H: 3,75

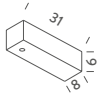
240W / LIN ALI 54

L: 24,4 | D: 7,1 | H: 3,55

Empty box for remote driver  
up to 240W

● ROS LNN 51 black

○ ROS LWW 51 white



## CONNECTIONS

### T UP VERTICAL

● LSS TN2 51 black

○ LSS TW2 51 white



### T DOWN VERTICAL

● LSS TN1 51 black

○ LSS TW1 51 white



### T HORIZONTAL

● LSS TN3 51 black

○ LSS TW3 51 white



### UP VERTICAL ANGLE

● LSS AN1 51 black

○ LSS AW1 51 white



### DOWN VERTICAL ANGLE

● LSS AN2 51 black

○ LSS AW2 51 white



### HORIZONTAL ANGLE

● LSS AN3 51 black

○ LSS AW3 51 white



### CENTRAL

● LSS CN5 51 black

○ LSS CW5 51 white



### CENTRAL ONE WAY

● LSS CN7 51 black

○ LSS CW7 51 white



### CENTRAL SUPPLY

● LSS CN4 51 black

○ LSS CW4 51 white



### HORIZONTAL START

● LSS CN2 51 black

○ LSS CW2 51 white



### VERTICAL START

● LSS CN1 51 black

○ LSS CW1 51 white



### WALL CEILING START

● LSS FN3 41 black

○ LSS FW3 41 white



### HORIZONTAL END

● LSS CN3 51 black

○ LSS CW3 51 white



### VERTICAL END

● LSS CN6 51 black

○ LSS CW6 51 white



### WALL CEILING END

● LSS FN1 41 black

○ LSS FW1 41 white



### WALL CEILING END + XYZ

● LSS FN2 41 black

○ LSS FW2 41 white



### VERTICAL ANGLE SUPPLY

● LSS AN4 51 black

○ LSS AW4 51 white



### HORIZONTAL ANGLE SUPPLY

● LSS AN5 51 black

○ LSS AW5 51 white



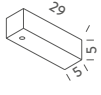
## ACCESSORIES

### POWER SUPPLY

60W 1-10V

● LSS PN6 51 black

○ LSS PW6 51 white

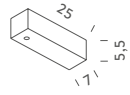


### POWER SUPPLY

90W 1-10V

● LSS PN9 51 black

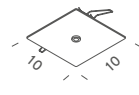
○ LSS PW9 51 white



### CEILING PLATE

● LSS PNR 51 black

○ LSS PWR 51 white



### CANOPY

● ROS KNN 51 black

○ ROS KWW 51 white



# CAUTIONS

Products conform EN60598(2004/108/CE, 2006/96/CE and version 93/68), built and tested following the latest regulations. The program in this catalogue can be changed due to the technical development of the LEDs. Nemo Studio reserves the right to make any technical or formal alterations to its products without giving prior notice, especially for LED sources. Without prejudice to the essential characteristics of the models described, Nemo Studio make changes to improve the product for construction and/or commercial reasons. Dimensions are indicated in centimetres. Luminaires are normally supplied without light sources, except when otherwise indicated. Products with anodized finishes could show different colour shades due to the industrial galvanic process. Shades have to be considered as aesthetic elements of the product. The polishing process is hand-made. Shades are therefore due to this manual process. Dimensions of products made with deformations of extrusions could be subject to changes of +/-1cm. Pictures application, images and product descriptions in this catalogue are intended to present the product and cannot be considered binding. Dimensions of the power supplies stated in the present catalogue are purely indicative and they are subject to change without notice. If not specifically indicated, power supplies, accessories and other parts not listed as to be included are believed to be excluded. All products, power supplies and accessories installed must be accessible and available for inspection to ensure proper maintenance. Information concerning luminous flux/power consumption are expressed in real values. Any further data are indicated in the technical sheets available on the website. In case of discrepancy between the information contained in the printed materials and the website, this latter shall prevail. This catalogue replaces the previous version. The previous version is no longer considered valid.

## LED WARNINGS

The LEDs used by NEMO STUDIO are selected to provide the best uniformity in terms of chromatic and light efficiency. Despite these precautions, there may be differences within a tolerance approximately +/- 10%. Technical notes and wiring diagrams are to be considered purely indicative and are not binding. Due to quick technological improvements in LED technology, Nemo

Studio reserves the rights to alter the specifications of the products. Consequently, the photometric data are to be considered purely indicative and subject to continuous improvements.

## INFORMATION WITH REGARDS TO THE CORRECT INSTALLATION / FUNCTIONING OF NEMO STUDIO LED LUMINAIRES

Installation and the electrical connection must be performed by a qualified installer. Never switch on LED luminaires without the power supply being connected. Never open the luminaire, if not specifically indicated on the mounting instructions. Always check the specification of the power supply with regards to the minimum/maximum number of luminaires which can be connected. Always check if the IP rating of the luminaires is suitable for the desired application. If not specifically indicated, the luminaires are not suited for pedestrian areas. LED fittings are affected by fluctuations in temperature which can result in undesired colour shift or luminous flux loss. To ensure adequate dissipation of heat always make sure that the area/room where the luminaire will be installed is adequately ventilated. Never cover the metal heat sink of the luminaire, this restricts the flow of air and will result in a shorter than a specified lifetime. Do not carry out painting and/or treatments that could compromise its functionality.

## INFORMATION WITH REGARDS TO IP65 AND IP68 LUMINAIRES FOR OUTDOOR LED

The products rated IP65, IP66, IP67 or IP68 should never be opened. The electrical connections must be made by guaranteeing a degree of protection like and/or higher than the IP spotlight, single-pole connectors with insulation perforation and gel enclosure, gel enclosure flasks, IP68 cylindrical flasks with cable glands. In case of recessed luminaires for exterior use, always prepare a drainage layer under the recessed box. The correct installation in the floor is only with the use of the listed Nemo Studio recessed boxes. For use in thermal waters, in waters with chemical additives, we always suggest using TF fixtures in synthetic material and/or refer to the technical department for advice concerning the use of luminaires in such applications.

## MAINTENANCE

It is essential to clean the luminaire periodically at regular intervals to remove the dust, dirt, limestone or other contaminations. Before cleaning the luminaire, switch off the power supply and let it cool down. Not maintaining the luminaires may result in malfunctioning. Clean the luminaires using a soft cloth dampened in lukewarm water. Do not use cleaning products which contain acidic substances. Do not use cleaner machines. Luminaires must not be used in corrosive environments, exposure to corrosive substances must always be avoided. In case of doubts concerning chemical resistance of our luminaires please contact our technical department.

## WARRANTY

Standard product warranty is 36 months. The producer does not accept any liability for damage of the luminaires, property or persons, caused using a wrong driver or by a faulty electrical connection. The warranty does not cover defects and/or damages caused by wrong use in cases where the installation instructions have not been followed. The producer does not accept any liability for defects caused by natural disaster or by vandalism. Nemo Studio cannot be held responsible for malfunctioning, short lifespan and decrease in light output if the products are not connected to a specified LED driver provided by Nemo Studio.

Luminaires are normally supplied without light sources, except when otherwise indicated.

As blown glass is produced by traditional craft techniques, its thickness, colour and finish are subject to variations, a feature that makes each piece unique.

NEMO STUDIO reserves the right to make any technical or formal alterations to its products without giving prior notice, especially for LED sources.

WARRANTY Conditions are indicated in a tag attached to each luminaire. When a certain lamp is supplied with the bulb, the same shall be seen as a pure service to the customer. The cost of the bulb is not included in the price of the product and therefore NEMO STUDIO shall not be held responsible for any replacement in case of malfunctioning of the bulb.

# AVVERTENZE

I prodotti Nemo Studio sono conformi EN60598 (2004/108/ CE, 2006/95/CE e 93/68) e quindi costruiti, verificati e collaudati in conformità alle norme applicabili. I prodotti all'interno di questo catalogo sono soggetti al contributo di smaltimento come da direttiva RAEE Dlgs n.151 vigente al 31 dicembre 2006 che incorpora la direttiva RoHS relativa alla riduzione delle sostanze pericolose presenti nelle apparecchiature elettriche ed elettroniche. Le sorgenti luminose a LED e i materiali utilizzati da Nemo Studio per la produzione di apparecchi LED sono conformi alle direttive RoHS riguardanti l'inquinamento ambientale e lo smaltimento dei rifiuti pericolosi. Rispetto alle sorgenti luminose tradizionali ad alto rendimento, contenenti gas, mercurio ed altre sostanze tossiche di difficile smaltimento, il LED non contiene alcuna sostanza considerata inquinanti.

Il programma contenuto sul presente catalogo, potrà subire evoluzioni relative allo sviluppo tecnologico della tecnologia LED e delle sue applicazioni. Nemo Studio si riserva il diritto di sopprimere in qualsiasi momento e senza preavviso, eventuali prodotti dalla collezione e, ferme restando le caratteristiche essenziali dei modelli descritti, di apportare variazioni allo scopo di migliorare il prodotto per ragioni costruttive e/o commerciali.

Tutte le dimensioni sono espresse in centimetri. Le istruzioni di montaggio e di manutenzione sono incluse negli imballi. Le indicazioni dei materiali, delle finiture e dei colori riguardano solo le principali parti visibili dei prodotti. I prodotti con finiture anodizzate possono mostrare differenti sfumature di colore che sono proprie del processo galvanico di finitura e sono da considerarsi come elementi estetici del prodotto. Il processo di spazzolatura per la lucidatura è realizzato a mano. Le sfumature sono pertanto proprie del processo manuale di lucidatura. Nei prodotti realizzati attraverso lavorazioni di deformazioni di estrusi, gli ingombri di massima possono subire variazioni in un range di  $\pm 1$ cm.

Le foto, le immagini, le dimensioni, le descrizioni ed ogni altra possibile indicazione del presente catalogo, hanno unicamente lo scopo di presentare il prodotto e non sono vincolanti. Le dimensioni degli alimentatori indicate sul presente catalogo sono da ritenersi indicative e possono subire variazioni senza alcun preavviso.

Se non espressamente indicato, gli alimentatori, gli accessori ed altre parti non indicate come

comprese sono da ritenersi esclusi. Tutti i prodotti, alimentatori ed accessori installati devono essere accessibili ed ispezionabili per garantire la corretta manutenzione.

I dati relativi ai flussi luminosi, ai consumi ed alle potenze si riferiscono a valori reali. Ulteriori dati sono indicati nelle curve fotometriche e nelle schede disponibili sul sito.

In caso di discrepanza delle informazioni tra documenti cartacei e sito web, prevalgono le informazioni del sito.

Il presente catalogo sostituisce e annulla i precedenti.

## AVVERTENZE LED

I LED utilizzati da Nemo Studio seguono particolari selezioni allo scopo di garantire la migliore uniformità possibile sia in termini di resa cromatica sia in termini di rendimento e flusso luminoso. Nonostante questi accorgimenti possono presentarsi differenze con una tolleranza di circa +/- 10%. Le note tecniche e gli schemi di collegamento sono da ritenersi puramente indicativi e non vincolanti. Dato il rapido sviluppo della tecnologia LED con rese ed emissioni in costante aumento, Nemo Studio si riserva la facoltà di aggiornare e migliorare la tecnologia LED all'interno dei suoi prodotti. Di conseguenza i dati relativi alle letture fotometriche sono da considerarsi puramente indicativi in quanto soggetti a questi continui miglioramenti. Si consiglia di rivolgersi all'ufficio tecnico per le versioni più aggiornate dei dati relativi e delle curve fotometriche.

## INDICAZIONI PER UNA CORRETTA INSTALLAZIONE / FUNZIONAMENTO APPARECCHI LED NEMO STUDIO

L'installazione e la connessione elettrica devono essere eseguite da personale qualificato. Non collegare mai i faretti LED con l'alimentatore in tensione. Non aprire mai i faretti se non espressamente indicato nelle istruzioni di montaggio/collegamento.

Verificare sempre il corretto alimentatore da utilizzare con il prodotto LED e il numero minimo/massimo di faretti supportati.

Verificare sempre che il grado di protezione dell'apparecchio sia adeguato alla tipologia di installazione/utilizzo.

Se non espressamente indicato gli apparecchi non sono né calpestabili né carrabili. Gli apparecchi LED risentono delle variazioni di temperatura. Per garantire una adeguata dissipazione di calore accertarsi sempre che

le zone/ locali dove verranno installati siano sufficientemente grandi e/o areati e non coprire per nessuno motivo la parte metallica che garantisce lo scambio di calore, non effettuare verniciature e/o trattamenti che possano compromettere questa funzionalità.

## INDICAZIONE PARTICOLARE PER APPARECCHI DA IP65 A IP68 PER ESTERNI

Gli apparecchi LED con questo grado di protezione non devono essere aperti. Le connessioni elettriche devono obbligatoriamente essere eseguite garantendo un grado di protezione simile e/o superiore al faretto stesso (connettori unipolari a perforazione di isolante e inglobamento a gel, muffole a inglobamento a gel, muffole cilindriche IP68 con pressacavi).

Nel caso di apparecchi incasso per esterni prevedere sempre uno strato drenante sotto la cassaforma.

Il corretto fissaggio a pavimento avviene solamente con l'utilizzo delle cassaforme Nemo Studio indicate.

Per utilizzo in acque termali, acque con sostanze chimiche additive e particolari si consiglia di utilizzare apparecchi TF in materiale sintetico e/o rivolgersi all'Ufficio Tecnico per consigli e modalità di utilizzo.

## MANUTENZIONE

Pulire periodicamente gli apparecchi per rimuovere gli accumuli di sporco e sostanze che si depositano sulle superfici a contatto con aria/acqua. Prima della pulizia, spegnere l'apparecchio e lasciarlo raffreddare. Gli intervalli ed i metodi richiesti a tale riguardo dipendono dal luogo e dalla situazione di montaggio nonché dalle condizioni ambientali. Effettuare la pulizia utilizzando un panno morbido inumidito in acqua tiepida. Non usare prodotti per la pulizia a base acida per pulire i faretti. Non utilizzare idropulitrici. Nessuna parte degli apparecchi installati in esterno deve entrare in contatto con sostanze chimiche aggressive (es. fertilizzanti, diserbanti, calce, acidi e sostanze potenzialmente corrosive, etc...).

## GARANZIA

La garanzia standard di prodotto è pari a 36 mesi. Il produttore non si assume nessuna responsabilità per danni all'apparecchio, a cose o a persone, causati dall'utilizzo di un alimentatore non idoneo o da una connessione

non eseguita a regola d'arte.

La garanzia non copre gli eventuali difetti e/o danni causati da un utilizzo errato e non conforme alle istruzioni di installazione ed impiego ed alle indicazioni sopracitate. Non si assumono responsabilità per difetti derivanti da eventi atmosferici, da calamità naturali (sovratensioni, fulminazioni, etc...) o da atti di vandalismo. Nemo Studio non risponde di malfunzionamenti, durata e resa luminosa dei propri prodotti quando alimentati e gestiti con prodotti NON forniti o suggeriti da Nemo Studio.

Le lampade sono generalmente fornite senza lampadina, salvo diverse indicazioni.

I vetri soffiati, poiché sono prodotti artigianali, possono avere spessori, colori e finiture variabili che ne costituiscono l'unicità.

NEMO si riserva di apportare qualsiasi modifica tecnica o formale senza preavviso, soprattutto per quanto concerne le sorgenti LED.

**GARANZIA** Le condizioni di garanzia sono precisate in un cartellino allegato ad ogni lampada. Alcune lampade vengono fornite con la sorgente che Nemo suggerisce per la miglior resa. Tale dotazione è da ritenersi esclusivamente come un servizio gratuito accessorio offerto al cliente. Il costo della sorgente non fa pertanto parte del prezzo della lampada.

NEMO non sarà dunque responsabile di alcuna sostituzione o servizio post-vendita in caso di malfunzionamento.

# TERMS AND CONDITIONS FOR SALE OF PRODUCTS AND SERVICES

## 1. OFFER, CONFIRMATION, AGREEMENT

(a) These terms and conditions (“Terms”) apply to the sale or supply of all products or systems (“Products”), and the performance of all services (which includes any software provided as a service) (“Services”) by Ilti Luce s.r.l. (“Ilti”), to you (“Customer”) and will form a necessary part of any Offer or Agreement therefore. Customer’s ordering of Products or Services from Ilti constitutes acceptance of these Terms, as such Terms may have been updated through the date of such order.

(b) In the event of any conflict or inconsistency between these Terms and the terms of any Agreement or Offer the terms of such Agreement or Offer will prevail.

(c) Any different or additional terms in any purchase order, blanket instructions, terms of purchase or other writing from Customer will be deemed a material alteration of these Terms and are expressly objected to and rejected and will be of no force or effect. Commencement of performance or shipment will not be construed as acceptance of any of Customer’s terms or conditions. Course of performance or usage of trade will not be applied to modify these Terms.

(d) These Terms may be amended by Ilti by posting an updated version on its website, provided that in respect of an Agreement and an Offer the version of the Terms applicable as of the effective date of the Agreement or the date of the Offer will apply.

(e) Offers by Ilti are open for acceptance within the period stated in such Offer or, in the event that no period is stated, within thirty (30) days from the date of the Offer, provided that Ilti may amend, withdraw or revoke any Offer at any time prior to the receipt by Ilti of the acceptance of an Offer. No order

submitted by Customer will be deemed final or accepted by Ilti unless and until confirmed by Ilti.

(f) Customer is solely responsible for the accuracy of any order, including with respect to the specification, configuration or other requirements of Products and Services, and functionality, compatibility and interoperability with other products (not authorized by Ilti), as well as fitness for particular use. Customer warrants that the information provided to Ilti under an Agreement is complete, accurate and true, and Customer acknowledges that a failure to provide complete, accurate and true information or instructions to Ilti may detrimentally affect Ilti’s ability to discharge its obligations or exercise its rights under an Agreement.

(g) Any catalog, specification, price sheet or other similar documentation prepared by Ilti is strictly for convenience only and will not be deemed as an Offer. Ilti believes such documentation is complete and accurate at time of printing, but Ilti does not warrant that such documentation is error free. Ilti will not accept responsibility for any damages in connection with errors of measurements, descriptions, application recommendations and the like.

(h) Products will be supplied in accordance with the standard functionalities, styles and sizes as described in Ilti’s catalogs or, for special or made-to-order Products, in accordance with Ilti’s drawings and specifications sheets. In the event of a conflict between an order of Customer and a drawing or specification sheet from Ilti approved by Customer, the latter will prevail.

(i) Assumptions, exclusions and qualifications stated by Ilti in Offers, Agreements or

otherwise will direct the Agreement and will be construed as part thereof and guide its execution and interpretation.

(j) In the event that Customer resells Products or incorporates Products and/or Services in offerings to its customer, Customer shall ensure that all its customers and/or end users of Products or Services comply with all relevant Customer’s obligations under the Agreement and these Terms, and that the terms of its agreement with each of its customer(s) or end user(s) are consistent with the Agreement and these Terms, failing which Customer shall indemnify, defend and hold harmless Ilti and its affiliates, and their officers, directors, agents, employees, successors, and assigns from and against, all losses, liabilities, costs (including legal costs) and expenses arising out of or in connection with any non-compliance.

## 2. PRICES AND TERMS OF PAYMENT

(a) In consideration of the sale of Products and/or the performance of Services by Ilti, Customer shall pay all prices and fees (“Prices”) in accordance with the Agreement and this section 2. Prices are in Euro and unless agreed otherwise based on Ex Works – Ilti facility (INCOTERMS latest version). Unless stipulated otherwise by the applicable INCOTERMS, Prices do not include any taxes, duties or other governmental fees, now or hereafter enacted, including value-added or similar taxes levied by any government, and Ilti may add these to the Price or invoice separately, and Customer will reimburse Ilti promptly on first request.

(b) Subject to notice to Customer, Ilti reserves the right to adjust Prices for Products and/or Services not yet delivered or performed to reflect variations in individual costs of more than five percent (5%) including any foreign exchange rate fluctuations, raw materials and



other costs of manufacturing and distribution, and labor costs, that take effect between the date of the Agreement and delivery of Products and/or performance of Services. In addition, if an Agreement has a term longer than twelve (12) months, Ilti may adjust Prices as of each 1st April (i) for the change in the most recently published inflation index compared to twelve (12) months earlier; and (ii) to reflect variations in the foreign exchange rate between US Dollar and Euro currency and/or Chinese Renminbi currency and the Euro currency of more than 5% since the date of an Offer.

(c) Any cancellation, delay or other change by Customer of a purchase order previously accepted by Ilti will require the prior approval of Ilti and the approval will be without prejudice to any rights or remedies Ilti may have under the Agreement or at law. If, on request of Customer, Ilti agrees to any such change in purchase order or a change in an Agreement, including an (partial) cancellation, delay or suspension, the addition, omission, alteration, substitution or modification of the design, quality, standard, quantity, manufacturing site or performance (including sequence, quantities or timing) of Products and/or Services (each, a "Variation"), or a Variation is required due to (i) changes in applicable laws, regulations or industry standards, (ii) emergency situations, (iii) incorrect or incomplete information provided by Customer, or (iv) non-compliance by Customer of any of its obligations under an Agreement, Customer shall reimburse Ilti for all costs and expenses incurred in respect of such Variation promptly on first request.

(d) Ilti may invoice Customer upon shipment of Products, or when Services have been performed. Ilti may require (i) Customer to pay on fixed payment days; (ii) an advance payment of (part of) the Price; and/or (iii) invoice per separate specified phase, time period or milestone of performance. Customer shall make net payment within thirty (30) days of date of invoice to the designated bank account of Ilti. Customer shall pay all amounts due to Ilti in full without any set-off, counterclaim, deduction or (tax) withholding. Notwithstanding the aforesaid, any invoice falling due on a day that is not a bank day shall be payable on the preceding bank day.

(e) In the event Customer fails to make any payment due under an Agreement on the due date, then, whether or not Ilti has made a formal demand for payment and in addition to any other rights and remedies available to Ilti, to the extent permitted by applicable law: (i) all amounts due from Customer will

be considered payable and non-disputed, admitted debt; (ii) Customer shall pay Ilti interest on all due amounts from the due date until Ilti has received full payment thereof, as per art. 5 of the Legislative Decree 231/2002, at a rate equal to the official ECB rate plus 7% or to the extent permitted by applicable law, and shall pay Ilti all costs of payment collection, including attorneys' fees; and (iii) Ilti may cancel any credit issued to Customer and require, to its satisfaction, that Customer provides (additional) security, pre-payments or deposits, and may implement additional conditional payment terms or accelerate payments schedules for any outstanding performance.

(f) Ilti may set off against and deduct from any amount that Ilti (or any of its affiliates) owes to Customer under any agreement any amount that Customer owes to Ilti or against any advance payments or deposits made by Customer. In the event that Ilti sets off amounts in different currency it will use a commonly used currency conversion rate.

### 3. DELIVERY OF PRODUCTS; PERFORMANCE OF SERVICES

(a) Unless agreed otherwise, Products will be delivered Ex Works – Ilti facility (INCOTERMS latest version). Ilti shall perform Services at the location(s) agreed in the Agreement. Dates communicated or acknowledged by Ilti are approximate only, and Ilti will not be liable for, nor will Ilti be in breach of its obligations to Customer, for any delay in delivery or performance, provided that Ilti shall use commercially reasonable efforts to meet such dates. In the event of delay, Ilti shall use commercially reasonable efforts to deliver Products or perform Services (where applicable) within a period that is reasonably needed given the cause of the delay, failing which Customer's sole and exclusive remedy will be to cancel the purchase order for undelivered Products and Services.

(b) Customer shall note any damage to Products caused in transit, or shortages thereto, on transport documentation immediately upon receipt of Products, with due regard to applicable instructions by Ilti or the carrier. All Products delivered under the Agreement will be deemed accepted by Customer as conforming to the Agreement, and Customer will have no right to revoke any acceptance, unless Customer provides Ilti notice of a claimed nonconformity within seven (7) days of the date of delivery. Notwithstanding the foregoing, any use of a Product by Customer or its customers after delivery will constitute acceptance of that Product by Customer.

Ilti shall at its option and within a reasonable time, correct nonconformities by either repair, make available parts, replace or deliver missing Products, or credit the Price paid by Customer for undelivered Products.

(c) Minor Nonconformities will not prevent or suspend acceptance by Customer of the Products, Services or both, and Ilti shall correct these within a reasonable time. "Minor Nonconformities" are nonconformities or anomalies that do not hinder the overall operation and intended use of Products or Services in accordance with the specifications. (d) Ilti may make changes to the design, materials, fit and finish of Products or change working methods, communication systems, software or any other elements of Services, and Documentation provided that such changes do not materially affect the functionality of the Product or Services. Customer shall not use or rely on Products and Services for any other applications or purposes than agreed in the Agreement.

(e) In the event of delay or interruption in delivery of Products or the performance of Services for reasons not attributable to Ilti or due to a Variation, the timelines for performance by Ilti will be amended accordingly. Ilti will be entitled (in addition to the increased costs referred to in section 2(c)) to a reasonable compensation by Customer for any damages and/or costs incurred by such delay.

(f) In the event that an Agreement contains (minimum) stock requirements for Ilti, Customer shall at first request of Ilti purchase Products kept in stock under such requirement.

### 4. USE OF PRODUCTS AND SERVICES

(a) Customer shall use Products and Services only for their intended purposes and in accordance with all instructions contained in the manuals, guidelines, warranty terms and any other terms and conditions applicable to such Products and Services or provided by any personnel of Ilti, deployed or subcontracted by Ilti in the performance of an Agreement ("Personnel"). Customer shall maintain the site, site conditions and equipment supplied and/or used by Ilti in the performance of Services (including cabling, fittings and electricity supply) in good condition, repair, and working order, and shall protect same against damage and external influences.

(b) Ilti shall not be responsible for the failure of any of its Products or Services to provide the expected performance, benefits, effects or outcome arising from: (i) Customer's failure to comply with the terms under the Agreement;

(ii) failures or fluctuations of electric power; (iii) sunset/shutdown of connectivity and communication technologies; (iv) Force Majeure and other unusual external influences; or (v) Variations.

#### 5. DESIGN SERVICES; DOCUMENTATION

(a) If included as part of Services, Ilti shall provide design services in accordance with specifications as agreed by the Parties in writing. Unless otherwise agreed, all IPR (as defined in section 10(a)) in and to the deliverables arising out of design Services will exclusively vest in Ilti or a Ilti nominee. Customer shall not use, publish, copy or disclose these without prior approval of Ilti, which approval Ilti may grant subject to certain conditions, including the payment of a reasonable fee.

(b) All the documentation provided by Ilti in connection with the Products and Services, including any user manuals or instructions, catalogs, specification sheets, data, drawings, schedules, designs, source code, or any other documents or information obtained from Ilti or created by Ilti in whatever form including electronic or printed format ("Documentation") will remain the property of Ilti. Documentation is not sold to Customer, but licensed subject to the license terms in section 10 below. Unless otherwise agreed, all IPR in and to the Documentation is retained by Ilti or a Ilti nominee. Customer shall not use, publish, copy or disclose the Documentation except in accordance with these Terms.

#### 6. INSTALLATION; SERVICES ON-SITE

This section applies where Ilti (or its subcontractor) will perform construction, cabling or installation activities ("Installation" or "Install") or other Services at a site owned or controlled by Customer.

(a) Customer is responsible for the timely completion of preparatory works and site preparations in conformity with requirements set by Ilti. Customer shall prior to the agreed start of Installation or other Services on site, and in such a manner that Ilti can perform in the most efficient manner and within agreed time schedules: (i) provide and maintain the site conditions (including infrastructure); (ii) provide all necessary information, instructions, inspections, authorizations, approvals, permits and notify Ilti about the location of any cables, electric power lines, water pipes or the like, including surveys describing physical characteristics, legal limitations and utility locations for the site; (iii) provide site access, including traffic management, where applicable; and (iv) put at the disposal of Ilti all materials, tools, constructions and other

facilities, and all other reasonable assistance in an accurate and timely manner, and at no additional costs to Ilti, all in compliance with applicable laws, including all applicable health and safety, electrical and building codes.

(b) Customer shall not call Ilti upon site before the obligations under section 6(a) have been satisfactorily completed. In the event of waiting times of more than four (4) hours on a day, Ilti may reschedule and charge Customer a full working day for that day for the resources concerned.

(c) Upon finalization of Installation or other Services on-site, Ilti shall notify Customer in accordance with the acceptance protocol agreed between the Parties.

#### 7. RISK AND TITLE

(a) Risk of damage to or loss of Products will pass to Customer (i) upon delivery by Ilti to Customer in accordance with the applicable INCOTERM; or (ii) in the event that Ilti Installs Products on-site, unless agreed otherwise, upon delivery on-site.

(b) Legal title to Products will pass to Customer only when Ilti (or its financiers) has received payment for such Products in full and, to the extent permitted by applicable law, Ilti received payment in full of all other amounts due by Customer under any other agreement with Ilti (or any of its affiliates).

#### 8. FORCE MAJEURE

Ilti will not be liable for any breach resulting from a Force Majeure event. If a Force Majeure event occurs, Ilti's performance will be suspended for the period of such Force Majeure event. "Force Majeure" means any circumstances or occurrences beyond the reasonable control of Ilti, whether or not foreseeable at the time of an Agreement, as a result of which Ilti cannot reasonably perform or execute its obligations, including, without limitation, acts of God, natural catastrophes including earthquake, lightning, hurricane, typhoon, flooding or volcanic activities or extreme weather conditions, strikes, lock-outs, war, terrorism, political situation, civil unrest, riots, sabotage, vandalism, industry-wide shortages, breakdown of plant or machinery, fault or loss of electricity supply, cyber attacks and hacking or non-performance by suppliers of Ilti or by other third parties on which Services rely (including connectivity and communication services). In the event that Force Majeure event extends (or is reasonably expected by Ilti to extend) for a period of three (3) consecutive months, Ilti will be entitled to cancel all or any part of an Agreement without any liability towards Customer.

#### 9. LIMITED WARRANTY AND

#### DISCLAIMER

(a) In most instances, Ilti Products are sold subject to an applicable standard limited warranty either accompanying the product or as published on Ilti's website as the standard warranty applicable for a particular Product (the "Standard Product Warranty"). For any Product that is sold by Ilti that is not subject to an applicable Standard Product Warranty, Ilti warrants only that for one (1) year from delivery to Customer the Products will be free from Defects. A "Defect" (or "Defective") means, in relation to a Product, that a Product has any defect in material or workmanship which causes the Product to fail to operate in accordance with the specifications provided by Ilti, with consideration given to the overall performance of the Product and, in relation to Services, means that the Service has not been performed in a competent, diligent manner.

(b) Unless otherwise agreed by the Parties, Ilti does not provide any warranty for third party products.

(c) In order to be entitled to make a valid claim under warranty, Customer shall promptly notify Ilti of alleged Defective Products or Defective Services prior to expiration of the warranty period. In the event that Ilti decides, in its sole discretion, that a claim under warranty is valid, Ilti shall, within a reasonable time, at its own option, repair or offer replacement products for Defective Products, or remedy or supplement any Defective Services. If despite reasonable efforts of Ilti, a Defective Product cannot be repaired, no replacement product can be supplied or Defective Services cannot be remedied or supplemented, Ilti shall make an appropriate refund or credit of monies paid by Customer for those Defective Products or Defective Services. Repairs, replacements or remedies will not extend or renew the applicable warranty period. Customer shall obtain consent from Ilti on the specifications of any tests it plans to conduct to determine whether a Defect exists. Replacement products supplied by Ilti may have minor deviations in design and/or specifications which do not affect the functionality of replaced Product. In respect of any replaced or credited Products, Ilti may, in its sole discretion, either claim the property of replaced or credited Products and require Customer to return these to Ilti, or instruct Customer to destroy these at Customer's costs.

(d) Customer shall bear the costs of access for remedial warranty efforts by Ilti, including removal and replacement of systems, structures or other parts of Customer's facility, the de-installation of Defective Products,

and the re-installation of replacement products. Customer shall not return Products to Ilti without consent of Ilti and unless in accordance with applicable Ilti' return policies. In the event that Ilti decides that a claim under warranty is not valid, Customer will bear the costs incurred by Ilti in handling and testing, and the transport of Products returned.

(e) Any indemnification and warranty obligations of Ilti under an Agreement are conditional upon (i) proper storage, installation, use, operation, and maintenance of Products, all in accordance with user manuals, warranty policies and other instructions or terms communicated by Ilti to Customer; (ii) Customer keeping accurate and complete records of operation and maintenance during the warranty period and providing Ilti access to those records; and (iii) modification or repair of Products or Services only as authorized by Ilti. Failure to meet these conditions renders the warranty null and void. Ilti will not be responsible for normal wear and tear and environmental or stress testing. The warranty provided in this section 9 does not apply to damage or failure to perform arising as a result of any Force Majeure or from any abuse, misuse, abnormal use, improper power supply, power surges or fluctuations, corrosive environments, neglect, exposure or any use or installation in violation of the instructions or restrictions prescribed by Ilti or any applicable standard or code.

(f) Any indemnification and warranty obligation of Ilti under an Agreement will not establish, by themselves, any liability to third parties or the public. Nothing in an Agreement will be construed to create any obligation, standard of care or liability to persons or third parties.

(g) If a recall, retrofit, update, withdrawal or any other remedial action related to any Product is required, Customer shall fully cooperate and shall provide such assistance as Ilti may require. Customer shall keep accurate books and records to assure traceability of the Products in the event of a Product recall or any other remedial actions.

(h) SUBJECT TO THE EXCLUSIONS AND LIMITATIONS SET OUT IN THE AGREEMENT, AND SUBJECT TO APPLICABLE LAW, SECTIONS 9, 11 AND 12(b), (c) and (d) STATE THE ENTIRE LIABILITY OF ILTI AND ITS AFFILIATES IN CONNECTION WITH DEFECTIVE PRODUCTS OR DEFECTIVE SERVICES, REGARDLESS OF WHEN THE DEFECT ARISES, AND WHETHER A CLAIM, HOWEVER DESCRIBED, IS BASED ON

CONTRACT, WARRANTY, INDEMNITY, TORT OR EXTRA-CONTRACTUAL LIABILITY (INCLUDING NEGLIGENCE), STRICT LIABILITY OR OTHERWISE, AND WILL EXTEND DIRECTLY TO CUSTOMER ONLY AND NOT TO ANY THIRD PARTY, INCLUDING CUSTOMER'S CUSTOMERS, AGENTS OR REPRESENTATIVES. ILTI EXPRESSLY DISCLAIMS ALL OTHER WARRANTIES, WHETHER EXPRESS OR IMPLIED, INCLUDING BUT NOT LIMITED TO ANY WARRANTY AGAINST INFRINGEMENT OR IMPLIED WARRANTIES OF MERCHANTABILITY OR FITNESS FOR A PARTICULAR PURPOSE. AN ESSENTIAL PURPOSE OF THE LIMITED EXCLUSIVE LIABILITIES AND REMEDIES UNDER THE WARRANTY IS ALLOCATION OF RISKS BETWEEN ILTI AND CUSTOMER, WHICH ALLOCATION OF RISKS IS REFLECTED IN THE PRICES.

#### 10. RIGHTS IN SOFTWARE, DOCUMENTATION AND INTELLECTUAL PROPERTY

(a) Subject to Customer's fulfillment of all obligations under the Agreement and these Terms, the supply of Products and/or Services (including software embedded in Products or Services) includes a non-exclusive and non-transferable limited license (without the right to grant sublicenses) to Customer under any intellectual property rights (including patents, utility models, registered and unregistered designs, copyrights, database rights, trademarks, domain names, trade secrets, know-how, semiconductor IC topography rights and all registrations, applications, renewals, extensions, combinations, divisions, continuations or reissues of any of the foregoing, collectively: "IPR") of Ilti, to the limited extent that such IPR is embodied or embedded in the Products or Services purchased, to use or resell the Products (including Documentation) as sold by Ilti, and/or, for Services, to use the Services (including Documentation) during the term of the applicable Agreement in accordance with the applicable Services description. No rights to IPR are conferred to Customer or any third party other than explicitly granted under the Agreement or these Terms.

(b) Customer acknowledges that third parties may own IPR related to Products or Services. Customer shall reproduce, without any amendments or changes, any proprietary rights legends of Ilti or its third party suppliers in any software or Documentation provided by Ilti.

(c) Ilti will be free to use in any way or form any ideas, suggestions, feedback or recommendations by Customer to Ilti regarding Products or Services ("Feedback"), without payment of royalties or other consideration to Customer. Ilti will own all IPR in Feedback. Ilti is entitled to use output, deliverables and creations resulting from the performance of Services for its own publicity or for promotional purposes.

#### 11. INTELLECTUAL PROPERTY RIGHTS INDEMNITY

(a) Customer shall promptly notify Ilti of any third party claim alleging that any of the Products and/or Services supplied to Customer by Ilti infringes any third party IPR. Upon such notice, Ilti may at its own option and at its own expense either: (i) procure for Customer the right to continue using such Product and/or Services; or (ii) provide a replacement non-infringing product for such Product of equivalent functionality; or (iii) modify such Product such that it is no longer infringing; or (iv) remedy such Service; or (v) make an appropriate refund or credit of monies paid by Customer for that Product and/or Services.

(b) In the event that a claim referred to under section 11(a) results in any legal proceedings, Customer shall give Ilti full authority, at the option and cost of Ilti, to settle or conduct the defence of such claim. Customer shall provide Ilti with all assistance as Ilti may reasonably require in connection with such defence of such claim. Customer shall not enter into any settlement in connection with any such claim, nor incur any costs or expenses for the account of Ilti without the prior consent of Ilti.

(c) Subject to the provisions of sections 11 and 12, Ilti will reimburse Customer in respect of any final award of damages by a court of competent jurisdiction holding that Products and/or Services as supplied by Ilti under an Agreement directly infringe any third party IPR, provided that the infringement is held to be directly and solely attributable to the use by Customer of the Products and/or Service as supplied by Ilti under the Agreement.

(d) Notwithstanding anything to the contrary provided in the Agreement, Ilti will not be liable for, and the obligations of Ilti set out in this section 11 will not apply to: (i) any claim of infringement of third party IPR resulting from compliance with Customer's design, drawings, specifications or instructions; or (ii) use of any Products, deliverables and/or Services other than in accordance with its specifications or any claim based on or resulting from any modification or adaptation of a Product,

deliverables and/or Service made by or on behalf of Customer; or (iii) any third party IPR covering any assembly, circuit, combination, method or process, in the manufacture, testing or application in which such Products and/or Services supplied by Ilti may have been used; or (iv) any claim of infringement resulting from compliance with an industry standard applying to the Products or Services.

(e) With regard to any claim of infringement covered by section 11 (d), Customer shall fully indemnify Ilti against any award of damages for any such infringement and shall reimburse all costs incurred by Ilti in defending any suit or proceeding for such infringement, provided that Ilti gives Customer prompt notice in writing of any such suit or proceeding for infringement and, if so requested, full authority to conduct the defence thereof.

(f) In the event that Ilti receives notice claiming infringement of third party IPR in relation to any Products and/or Services supplied or to be supplied under an Agreement, Ilti may, in order to limit or avoid liability, terminate the Agreement, suspend or discontinue the supply or performance to Customer of the Products and/or Services or parts to which such notice relates and Ilti will not be liable to Customer by virtue of such termination, suspension or discontinuation.

(g) Subject to the exclusions and limitations set forth in section 12, the foregoing states the entire liability of Ilti for infringement of third party IPR in connection with the supply of Products and/or Services.

## 12. LIMITATION OF LIABILITY

(a) THE LIABILITY OF ILTI AND ITS AFFILIATES FOR ALL CLAIMS OF ANY KIND ARISING FROM OR RELATED TO THE PROVISION OF PRODUCTS OR SERVICES TO CUSTOMER, OR OTHERWISE UNDER AN AGREEMENT, INCLUDING ANY INDEMNITIES, PENALTIES OR LIQUIDATED DAMAGE ("CLAIMS"), WILL BE LIMITED TO A MAXIMUM, AGGREGATE TOTAL ("LIABILITY CAP") OF (I) TWENTY PERCENT (20%) OF THE TOTAL PRICE PAID BY THE CUSTOMER FOR PRODUCTS AND/OR SERVICES TO WHICH SUCH CLAIMS RELATE, OR (II) EUR 2,000,000, WHICHEVER IS LOWER. FOR SERVICES THAT ARE PERFORMED ON THE BASIS OF SPECIFIED PHASES, TIME PERIODS OR MILESTONES ("MILESTONES") AS MAY BE SPECIFIED IN AN AGREEMENT, THE LIABILITY CAP WILL FURTHER BE LIMITED TO TWENTY PERCENT (20%) OF THE TOTAL PRICE

PER EACH SUCH MILESTONE FOR ALL CLAIMS ARISING FROM OR RELATED TO SUCH MILESTONE.

(b) Ilti will not under any circumstances be liable for any lost profits, lost savings, loss of data, loss of reputation, loss of goodwill, indirect, incidental, punitive, special or consequential damages, whether or not such damages are based on tort, warranty, contract or otherwise – even if Ilti has been advised, or is aware, of the possibility of such damages.

(c) In order to be entitled to make a valid Claim, Customer shall notify Ilti of any such Claim within thirty (30) days of the date of the event giving rise to the Claim, and any lawsuit relating to a Claim must be filed within one (1) year of the date of such notification. Claims that are not brought or filed in accordance with the preceding sentence will be null and void.

(d) The limitations and exclusions of liability will apply only to the extent permitted by applicable mandatory law.

## 13. CONFIDENTIALITY

Customer shall maintain any technical, commercial and financial information, including any Offer and (pricing) terms, other data disclosed to Customer by Ilti, and any Feedback, confidential and shall not disclose such information to any third party and shall not use any such information for any purpose other than as agreed by the Parties and in relation to the Offer and/or the Agreement.

## 14. EXPORT/IMPORT CONTROLS

(a) Certain transactions of Ilti may be subject to export or import controls laws and regulations that prohibit or restrict the (re)export or transfer of certain items to certain countries, entities or individuals, such as the laws and regulations of the UN, EU and US ("Export Regulations"). The (re)export or transfer of Products and/or Services, as well as technical assistance, training, investments, financing, financial assistance, brokering and licensing of technology, are subject in all respects to the applicable Export Regulations and to the jurisdiction of the relevant authorities responsible for Export Regulations. If any such (re-)export or transfer requires an export or import license, or is otherwise prohibited or restricted under Export Regulations, Ilti may, in its sole discretion, suspend its obligations to Customer until such license is granted or for the duration of any restrictions or prohibitions, or terminate (the relevant part of) the Agreement without incurring any liability.

(b) Customer shall impose all export control restrictions to any third party if the Products and/or Services are (re)exported or transferred

to third parties. At the request of Ilti and if required by applicable Export Regulations, Customer shall inform Ilti on any (re)export or transfer of the Products in order to comply with Export Regulations and any other regulatory responsibilities governing the sale of the Products, including requirements on the traceability of Products that may apply to Ilti. Customer shall not provide any statement or certification in support of restrictive trade practices or boycotts.

## 15. ASSIGNMENT

(a) Customer may not assign an Agreement, or any of its rights or obligations thereunder, without the prior consent of Ilti.

(b) Ilti may delegate, assign, sell, novate or subcontract in part or in whole its obligations and rights (including receivables) under any Agreement to any of its affiliates or any third party without the prior consent of Customer – and if such consent would be required under applicable law, such consent is herewith provided –, in which event Customer shall cooperate with Ilti efforts, including providing relevant information, executing documents and making payments to accounts or third parties as notified by Ilti.

## 16. COMPLIANCE WITH LAWS; ANTI-BRIBERY

(a) Customer shall at all times comply and shall take all actions reasonably necessary to ensure that its business partners shall comply, with all applicable local and international laws and regulations, including on anti-bribery and anti-corruption and the Export Regulations (and in particular with Italian Legislative Decree 231/01 as amended from time to time). Accordingly, Customer shall conduct its business honestly and not engage in any act of bribery or corruption.

(b) Should Ilti receive any indications about a breach of the obligation under (a) Customer shall cooperate and provide Ilti with all information required to allow Ilti to verify such indications, and if founded, section 18 will apply.

## 17. HEALTH AND SAFETY

(a) The Parties shall comply with all applicable legislation, rules and/or regulations on the health and safety of workers and/or employees, as well as health and safety of the public in the vicinity. Customer shall provide and shall procure that its employees, agents, contractors or subcontractors provide safe work surroundings for Personnel and other representatives and shall take those measures prescribed by law and any other measures necessary for the prevention of accidents at the site and to ensure the

health and safety of Personnel at the site. Customer shall timely inform Personnel of required safety precautions and advise Ilti of all applicable site-specific health, safety, security and environmental requirements and procedures. Ilti has the right, but not the obligation, to, from time to time, review and inspect applicable health, safety, security and environmental documentation, procedures and conditions at the site.

(b) Customer shall ensure that no hazardous materials are present at the site. If, in the reasonable opinion of Ilti, the health, safety, or security of Personnel or the site is, or may be, imperiled by security risks, terrorist acts or threats, the presence of or threat of exposure to hazardous materials, or unsafe working conditions, Ilti may, in addition to other rights or remedies available to it, evacuate some or all Personnel from the site (with the reasonable assistance of Customer), suspend performance of all or any part of an Agreement, and/or remotely perform or supervise Services (if possible) with no further liability to Customer.

(c) Conditions at a site that differ materially from those disclosed by Customer, or previously unknown physical conditions at site that differ materially from those ordinarily encountered and generally recognized as inherent in work of the character provided for in the Agreement, will be deemed a Variation.

#### 18. BREACH; SUSPENSION; TERMINATION

(a) In the event of (i) a breach by Customer of any of the provisions of the Agreement or these Terms, including any failure to pay any amount as and when due; or (ii) in the reasonable opinion of Ilti, the financial position of the Customer (or a material change thereof) is likely to affect Customer's ability to perform its obligations under the Agreement; or (iii) any proceedings in insolvency, bankruptcy (including reorganization), liquidation or winding up are instituted by or against Customer, whether filed or instituted by Customer (voluntarily or involuntarily), a trustee or receiver is appointed over Customer, or any assignment is made for the benefit of creditors of Customer; or (iv) Customer ceases, or threatens to cease, to carry on business, or (v) the control over or ownership of Customer changes, then Ilti may declare all amounts outstanding by Customer immediately due and payable and may set off any amount that Ilti (or any of its affiliates) owes to Customer under any agreement including any advance payments or deposits made by Customer, against amounts due pursuant to section 18(b). In addition, Ilti may in its sole discretion by

notice to Customer with immediate effect suspend or cancel any performance due from Ilti (including production, delivery, installation and commissioning of Products, obligations under warranty and performance of Services) or terminate the Agreement or any part thereof, without any liability, and/or suspend or cancel any credit terms offered to Customer. Ilti may only use the right to terminate an Agreement pursuant to this section if, in respect of an event under (i) above that is capable of being remedied, Customer fails to remedy the breach within fourteen (14) days, or in respect of an event under (ii), Customer fails to provide Ilti with a bank guarantee or other security to the satisfaction of Ilti within fourteen (14) days.

(b) Customer shall indemnify, defend and hold harmless Ilti and its affiliates, and their officers, directors, agents, employees, successors, and assigns from and against, all losses (including loss of profits or turnover), liabilities, costs (including legal costs and costs incurred in relation to unfinished products) and expenses arising out of or in connection with any of the following events: (i) a breach by Customer of any of the provisions or obligations of the Agreement or these Terms, or the occurrence of any of the other events set out in section 18(a); (ii) any claim by third parties for any loss, damage or injury or death caused or alleged to be caused by the negligent use, application, or installation of Products, or caused by any modification of Product or integration of Product into other products not authorized by Ilti, by Customer or its contractors, agents, affiliates or customers to whom it sold Product; or (iii) non-compliance by Customer with section 7(b), in which event costs will include the full replacement costs of products, systems or other equipment.

(c) Upon (early) termination or expiration of an Agreement, (i) all rights and licenses granted to Customer under that Agreement will immediately cease; (ii) Customer shall return, delete (including from all hard disks and memory) or destroy (and a duly appointed officer shall certify to such destruction) all information disclosed under section 13, including software not embedded in Products, and all copies thereof; (iii) return to Ilti, at the costs of Customer, any Products of which (legal) title has not passed to Customer (in accordance with section 7) and any other products, systems or equipment supplied and/or used by Ilti in the performance of the Services; and (iv) all reasonable costs and expenses incurred by Ilti (including a reasonable profit) for any activities related

to work performed by Ilti prior to such termination will be considered due, payable and non-refundable.

(d) In the event of a suspension that lasts for more than two (2) months, the provisions of section 18(c)(iv) will also be applicable to any activities related to work performed by or for Ilti prior to such suspension.

(e) The rights of Ilti pursuant to this section 18 will be in addition to any other rights and remedies Ilti may have at law or in equity. In the event of termination of an Agreement, the terms and conditions destined to survive such termination or expiration will so survive. Termination will not affect the rights of the Parties accrued up to the date of termination.

#### 19. GOVERNING LAW AND FORUM

(a) The laws of Italy govern all Agreements, Offers and these Terms, without regard to conflict of law principles. Any legal action or proceeding arising out of or in connection with an Agreement, an Offer or these Terms that cannot be settled through consultation in good faith within thirty (30) days after notice from either Party that a dispute exists, will be brought exclusively in the courts of Milan, Italy, provided that Ilti will always be permitted to bring any action or proceedings against Customer in any other court of competent jurisdiction. The United Nations Convention on Contracts for the International Sale of Goods will not apply.

(b) Nothing in this section 19 will be construed or interpreted as a limitation on either Party's right under applicable law to seek injunctive or other equitable relief, to take any action to safeguard its possibility to have recourse on the other Party or to bring action or proceedings in relation to any failure to pay any amount as and when due.

#### 20. PRIVACY AND USE OF DATA

(a) Each Party shall comply with all applicable data protection laws. Unless agreed otherwise by the Parties, Ilti (or its subcontractors) will not process information relating to any identified or identifiable natural persons ("Personal Data") for Customer or on Customer's behalf.

(b) Customer acknowledges and agrees that Ilti and its affiliated companies (or their respective subcontractors) may collect information and data generated from Products and Services (including any third party product, service or system provided in conjunction with the Product and/or Service) and/or the use thereof ("Usage Data"). Ilti is entitled to use the Usage Data, free of charge, at any time during the term of an Agreement and afterwards, in its sole discretion for any purposes whatsoever,

including to aggregate or compile Usage Data with other data, create IPR or derivative works of or modify or adapt Usage Data to provide, maintain, and improve products and services, and to develop new products or features or services.

## 21. MISCELLANEOUS

(a) The invalidity or unenforceability of any provision of these Terms or an Agreement will not affect the validity or enforceability of any other provision thereof, all of which will remain in full force and effect. In the event of such finding of invalidity or unenforceability, the Parties shall endeavor to substitute the invalid or unenforceable provision(s) by such effective provision(s) as will most closely correspond with the original intention of the provision(s) so voided. At reasonable notice, Customer shall assist Ilti in verifying Customer's compliance with the Agreement.

(b) Any right of Ilti set out in these Terms will be without prejudice to any rights or remedies Ilti may have under the Agreement or at law or in equity. Customer acknowledges that Ilti Luce Srl and any of its affiliates are intended to be third-party beneficiaries for purposes of all benefits under, and may enforce the provisions of the Agreement, including these Terms, where applicable. The failure or the delay of either Party to enforce any provision of these Terms or an Agreement will not constitute a waiver of such provision or a waiver to enforce it.

(c) The terms of an Agreement (including these Terms and any other terms and conditions forming part thereof) state the entire understanding and agreement between the Parties as to the sale of Products and performance of Services under that Agreement and will supersede any prior promises, agreements, representations, undertakings or implications whether made orally or in writing between Ilti and Customer with respect to the subject thereof. The Parties expressly acknowledge that, in entering into an Agreement, no reliance has been placed on any representations which have not been incorporated as part of that Agreement. No variation to an Agreement will be binding upon either Party unless made in writing and signed by an authorized representative of each of the Parties.

(d) Prices and terms are subject to correction for typographical or clerical errors.

## 22. TRACEABILITY OF FINANCIAL FLOWS

(a) If a public tender is awarded to one of the Parties ("aggiudicazione di procedura ad

evidenza pubblica"), pursuant to Article 3 of Italian Law 136/2010 as amended from time to time, the Parties assume all the obligations of financial flows' traceability, otherwise this agreement will be considered as null and void.

(b) The Parties also undertake to notice the contracting authority and the competent "prefettura-ufficio territoriale" about any non-fulfilment of the obligations mentioned under letter (a) above.

# TERMINI E CONDIZIONI PER LA VENDITA DI PRODOTTI E SERVIZI

## 1. OFFERTA, CONFERMA, ACCORDO

(a) I presenti termini e condizioni (le “Condizioni”) si applicano alla vendita o alla fornitura di tutti i prodotti o sistemi (i “Prodotti”) e alla prestazione di tutti i servizi (che include qualsiasi software fornito come servizio) (i “Servizi”), da parte di Ilti Luce s.r.l. (“Ilti”), a Voi (il “Cliente”) e, di conseguenza, costituiranno una parte imprescindibile di qualsiasi Offerta o Accordo. L'ordine da parte del Cliente di Prodotti o Servizi presso Ilti costituisce un'accettazione delle presenti Condizioni, come se le stesse siano state aggiornate alla data di tale ordine.

(b) In caso di conflitto o incoerenza di qualsiasi genere tra le presenti Condizioni e i termini di qualsiasi Accordo od Offerta, i termini di tale Accordo od Offerta prevarranno. (c) Qualsiasi termine diverso o aggiuntivo contenuto in qualsivoglia ordine, istruzione generale, termine d'acquisto o altro scritto del Cliente, sarà considerato una modifica sostanziale alle presenti Condizioni, sarà espressamente contestato e rifiutato e non avrà alcuna forza o effetto. L'inizio della prestazione o della spedizione non sarà interpretato come accettazione di alcuno dei termini o delle condizioni del Cliente. Ai fini della modifica delle presenti Condizioni non saranno di applicazione gli istituti della fase di esecuzione o dell'uso commerciale.

(d) Le presenti Condizioni possono essere modificate da Ilti tramite la pubblicazione di una versione aggiornata sul suo sito web, a condizione che, in riferimento a un Accordo o un'Offerta, sia applicata la versione delle Condizioni vigente alla data di entrata in vigore di detto Accordo o alla data di detta Offerta

(e) Le Offerte di Ilti possono essere accettate entro il periodo in esse specificato, oppure, nel caso in cui non sia specificato alcun periodo,

entro trenta (30) giorni dalla loro data, fatto salvo il diritto di Ilti di modificare, ritirare o revocare qualsiasi Offerta in qualunque momento, prima di aver ricevuto l'accettazione della stessa.

Nessun ordine emesso dal Cliente sarà considerato definitivo o accettato da Ilti, a meno a che, e fino al momento in cui, non sia stato confermato da quest'ultima.

(f) Il Cliente è l'esclusivo responsabile dell'accuratezza di qualsiasi ordine, anche relativamente alla specifica, alla configurazione o ad altri requisiti dei Prodotti e dei Servizi, dell'efficienza, della compatibilità e dell'interfunzionalità con altri prodotti (non autorizzati da Ilti), nonché dell'adattamento a un particolare uso. Il Cliente garantisce che le informazioni fornite a Ilti ai sensi di un Accordo sono complete, accurate e veritiere, e lo stesso Cliente prende atto che il suo difetto nel fornire a Ilti medesima informazioni o istruzioni complete, accurate e veritiere può avere un effetto negativo sulla capacità di quest'ultima di assolvere ai propri obblighi o esercitare i propri diritti derivanti da tale Accordo.

(g) Tutti i cataloghi, le specifiche, i listini prezzi o gli altri documenti analoghi preparati da Ilti devono essere rigorosamente considerati strumenti da utilizzarsi per comodità e non Offerte propriamente dette. Ilti ritiene che tale documentazione sia completa e accurata al momento della sua stampa, ma non garantisce che sia priva di errori. Ilti non accetterà alcuna responsabilità in merito a qualsiasi danno derivante da errori di misurazione, descrizioni, raccomandazioni di applicazione o altre istruzioni analoghe.

(h) I Prodotti saranno forniti in conformità alle funzionalità, agli stili e alle dimensioni standard descritti nei cataloghi di Ilti o, per Prodotti speciali o realizzati su ordinazione, in

conformità ai disegni e alle specifiche tecniche di Ilti. In caso di contrasto tra un ordine del Cliente e un disegno o specifica tecnica di Ilti approvati dal Cliente, questi ultimi prevarranno.

(i) Le supposizioni, le esclusioni e i requisiti dichiarati da Ilti nelle Offerte, negli Accordi o in qualsiasi altro documento guideranno l'Accordo e saranno interpretati come parte integrante di esso, orientandone l'esecuzione e l'interpretazione.

(j) Nel caso in cui il Cliente rivenda i Prodotti o inserisca i Prodotti e/o i Servizi in offerte indirizzate ai suoi clienti, dovrà assicurare che tutti tali clienti e/o utenti finali dei Prodotti o dei Servizi ottemperino a tutti i loro corrispondenti obblighi imposti dall'Accordo e dalle presenti Condizioni, e inoltre dovrà assicurare che i termini dell'accordo da esso stipulato con ciascuno dei suoi clienti o utenti finali siano coerenti con quelli dell'Accordo e con le presenti Condizioni; in difetto di ciò, il Cliente dovrà indennizzare, difendere e mantenere indenne Ilti e le sue affiliate, compresi i loro funzionari, direttori, agenti, dipendenti, successori e cessionari, da, e nei confronti di, tutte le perdite, le responsabilità, i costi (comprese le spese legali) e gli esborsi derivanti o connessi a qualsiasi mancata ottemperanza.

## 2. PREZZI E CONDIZIONI DI PAGAMENTO

(a) Quale controprestazione per la vendita dei Prodotti e/o la prestazione dei Servizi da parte di Ilti, il Cliente dovrà pagare tutti i prezzi e le commissioni (i “Prezzi”) disposti dall'Accordo e dalla presente Sezione 2. I Prezzi sono denominati in Euro e, fatto salvo qualsiasi diverso accordo, sono prezzi Franco Fabbrica, con consegna presso la sede di Ilti (secondo INCOTERMS, ultima versione).

Fatto salvo quando diversamente disposto dagli INCOTERMS applicabili, i Prezzi non includono qualsivoglia tassa, diritto o altro contributo governativo, applicati ora o in futuro, compresa l'IVA o altre analoghe tasse imposte da qualsiasi governo; Ilti può aggiungere queste voci al Prezzo o fatturarle separatamente e il Cliente rimborserà la stessa Ilti prontamente, a fronte della sua prima richiesta.

(b) Subordinatamente a una notifica inviata al Cliente, Ilti si riserva il diritto di adeguare i Prezzi dei Prodotti e/o Servizi non ancora consegnati o prestati, in modo da riflettere le variazioni dei singoli costi maggiori del cinque per cento (5%), comprese le fluttuazioni dei tassi di cambio delle valute estere, i costi delle materie prime e gli altri costi di fabbricazione e distribuzione, nonché i costi della manodopera, che siano applicati tra la data dell'Accordo e la consegna dei Prodotti e/o la prestazione dei Servizi. Inoltre, se un Accordo ha una vigenza superiore ai dodici (12) mesi, Ilti può adeguare i Prezzi a ciascun 1° aprile: (i) in base alla variazione dell'indice di inflazione di più recente pubblicazione, rispetto ai dodici (12) mesi precedenti; e (ii) a riflettere le variazioni del tasso di cambio estero tra il Dollaro USA e l'Euro e/o tra il Renminbi Cinese e l'Euro, pari a più del 5% dalla data di un'Offerta.

(c) Qualsiasi cancellazione, ritardo o altra modifica da parte del Cliente di un ordine d'acquisto precedentemente accettato da Ilti richiederà la preventiva approvazione di quest'ultima e tale approvazione sarà concessa senza pregiudizio a qualsiasi diritto o rimedio a cui la stessa Ilti possa fare ricorso ai sensi dell'Accordo o in forza della legge. Qualora, su richiesta del Cliente, Ilti acconsenta a una qualsiasi di tali modifiche dell'ordine d'acquisto o alla modifica di un Accordo, comprese la cancellazione (parziale), il ritardo o la sospensione, l'aggiunta, l'omissione, la variazione, la sostituzione o la modifica del progetto, della qualità, dello standard, della quantità, del luogo di fabbricazione o della prestazione (inclusi la sequenza, le quantità o la tempistica) dei Prodotti e/o dei Servizi (ciascuna denominata "Variazione"), ovvero qualora sia richiesta una Variazione a causa di: (i) modifiche delle leggi, delle normative o degli standard industriali applicabili; (ii) situazioni di emergenza; (iii) informazioni errate o incomplete fornite dal Cliente; ovvero (iv) mancato assolvimento da parte del Cliente di uno qualsiasi dei suoi obblighi di cui a un Accordo, lo stesso Cliente dovrà rimborsare prontamente a Ilti tutti i costi e le spese sostenute relativamente a tale Variazione, a

fronte della sua prima richiesta.

(d) Ilti può presentare la fattura al Cliente all'atto della spedizione dei Prodotti, oppure quando i Servizi sono stati prestati. Ilti può richiedere: (i) che il Cliente paghi in date di pagamento prefissate; (ii) un acconto sul Prezzo (o su parte di esso); e/o (iii) l'emissione di fatture secondo diverse fasi specifiche, periodi di tempo prefissati o stati di avanzamento della prestazione. Il Cliente dovrà effettuare i pagamenti al netto, entro trenta (30) giorni dalla data della fattura, sul conto bancario indicato da Ilti. Il Cliente dovrà pagare tutti gli importi dovuti a Ilti in toto, senza alcuna compensazione, riconvenzione, detrazione o trattenuta (fiscale). Nonostante quanto sopra esposto, qualsiasi fattura che scada in una data che non sia un giorno lavorativo bancario dovrà essere pagata il giorno lavorativo bancario precedente.

(e) Nel caso in cui il Cliente non effettui qualsiasi pagamento dovuto ai sensi di un Accordo alla sua data di scadenza, indipendentemente dal fatto che Ilti gli abbia trasmesso un formale sollecito di pagamento oppure no, e oltre a qualsiasi altro diritto e rimedio a disposizione di quest'ultima, nella misura consentita dalla legge applicabile: (i) tutti gli importi dovuti dal Cliente saranno considerati debiti ammessi, da pagarsi e non contestabili; (ii) il Cliente dovrà pagare a Ilti l'interesse su tutti gli importi dovuti, dalla data di scadenza fino al ricevimento del totale pagamento, ai sensi dell'Art. 5 del Decreto Legislativo 231/2002, a un tasso pari al tasso ECB ufficiale più il 7%, ovvero nella misura consentita dalla legge applicabile e dovrà pagare a Ilti tutti i costi di riscossione del pagamento, compresi gli emolumenti degli avvocati; e (iii) Ilti può cancellare qualsiasi credito concesso al Cliente e richiedere, a sua soddisfazione, che quest'ultimo gli fornisca una garanzia (aggiuntiva) o effettui dei pagamenti anticipati o dei depositi, e può applicare termini aggiuntivi di pagamento condizionato o accelerare il programma dei pagamenti per qualsiasi prestazione in sospeso.

(f) Ilti può compensare e detrarre da qualsiasi importo dovuto da essa (o da una qualsiasi delle sue affiliate) al Cliente, ai sensi di qualunque accordo, qualsiasi somma che lo stesso Cliente le debba versare, ovvero compensare e detrarre qualsiasi acconto o deposito versati dal Cliente. Nel caso in cui Ilti compensi degli importi in una valuta diversa, userà un tasso di cambio di uso comune.

### 3. CONSEGNA DEI PRODOTTI; PRESTAZIONE DEI SERVIZI

(a) Fatto salvo quanto diversamente

convenuto, i Prodotti saranno consegnati Franco Fabbrica presso la sede di Ilti (secondo INCOTERMS, ultima versione). Ilti dovrà prestare i Servizi presso la(e) ubicazione(i) convenute nell'Accordo. Le date comunicate o ratificate da Ilti sono solo approssimative e la stessa Ilti non sarà responsabile, né violerà i suoi obblighi nei confronti del Cliente, in caso di qualsiasi ritardo nella consegna o nella prestazione, a condizione che produca sforzi commercialmente ragionevoli per rispettare tali date. In caso di ritardo, Ilti produrrà sforzi commercialmente ragionevoli per consegnare i Prodotti o prestare i Servizi (ove applicabile) entro il periodo che sia ragionevolmente necessario in considerazione della causa del ritardo e, in difetto di ciò, il solo ed esclusivo rimedio a disposizione del Cliente sarà la cancellazione dell'ordine d'acquisto per mancata consegna dei Prodotti e dei Servizi.

(b) Il Cliente dovrà registrare sulla documentazione di trasporto qualsiasi danno ai Prodotti evidenziatosi durante la spedizione, o gli ammanchi dei Prodotti stessi, immediatamente all'atto del ricevimento dei Prodotti, con la debita attenzione alle istruzioni impartite da Ilti o del vettore. Tutti i Prodotti consegnati ai sensi dell'Accordo saranno considerati accettati dal Cliente in conformità all'Accordo stesso e il Cliente medesimo non avrà diritto di revocare qualsiasi accettazione, a meno che non fornisca a Ilti la notifica di una presunta non conformità, entro sette (7) giorni dalla data della consegna. Nonostante quanto sopra esposto, qualsiasi uso di un Prodotto da parte del Cliente o dei suoi clienti dopo la consegna costituirà un'accettazione di tale Prodotto da parte del Cliente stesso. Ilti, a sua scelta ed entro un termine ragionevole, dovrà risolvere le non conformità, riparando, rendendo disponibili pezzi di ricambio, sostituendo o consegnando i Prodotti mancanti, oppure dovrà rimborsare al Cliente il Prezzo da esso pagato in ragione della mancata consegna dei Prodotti.

(c) Le non conformità minori non ostacoleranno o sospenderanno l'accettazione dei Prodotti, dei Servizi o di entrambi da parte del Cliente e Ilti dovrà risolverle entro un tempo ragionevole. Le "Non Conformità Minori" sono non conformità o anomalie che non pregiudicano il funzionamento generale e l'utilizzo previsto dei Prodotti o dei Servizi in accordo alle specifiche.

(d) Ilti può apportare modifiche al progetto, ai materiali e alle finiture dei Prodotti o modificare



i metodi di lavoro, i sistemi di comunicazione, il software o qualsiasi altro elemento dei Servizi e della Documentazione, a condizione che tali modifiche non influenzino in forma sostanziale la funzionalità di tali Prodotti o Servizi. Il Cliente non dovrà utilizzare o fare affidamento su Prodotti e Servizi destinati ad applicazioni o scopi diversi da quelli convenuti nell'Accordo.

(d) In caso di ritardo o interruzione nella consegna dei Prodotti o nella prestazione dei Servizi per ragioni non attribuibili a Ilti o derivanti da una Variazione, le tempistiche della prestazione da 182 183 parte di quest'ultima saranno modificate di conseguenza. Ilti avrà la facoltà (oltre all'aumento dei costi a cui fa riferimento la Sezione 2(c)), a un ragionevole indennizzo da parte del Cliente di qualsiasi danno e/o costo sostenuto in ragione di tale ritardo.

(e) Nel caso in cui un Accordo contenga requisiti (minimi) in termini di scorte a magazzino di competenza di Ilti, in seguito alla prima richiesta di quest'ultima, il Cliente dovrà acquistare i Prodotti disponibili a magazzino sulla base di tale requisito.

#### 4. UTILIZZO DEI PRODOTTI E DEI SERVIZI

(a) Il Cliente dovrà utilizzare i Prodotti e i Servizi solo per gli scopi a cui sono adibiti e in accordo a tutte le istruzioni contenute nei manuali, nelle linee guida, nei termini di garanzia e in qualsiasi altro termine o condizione applicabile a tali Prodotti e Servizi, ovvero forniti da qualsiasi personale di Ilti assegnato da quest'ultima all'adempimento di un Accordo o assunto in subappalto (il "Personale"). Il Cliente dovrà mantenere in buone condizioni di manutenzione e funzionamento il cantiere di lavoro, il suo stato di fatto e le apparecchiature fornite e/o utilizzate da Ilti per la prestazione dei Servizi (compresi i cavi, i raccordi e la fornitura di corrente elettrica), nonché dovrà proteggerli dai danni e dalle influenze esterne.

(b) Ilti non sarà responsabile nel caso in cui uno qualunque dei suoi Prodotti o Servizi non fornisca la prestazione, i benefici, gli effetti o l'esito attesi, a causa de: (i) la mancata ottemperanza da parte del Cliente dei termini contenuti nell'Accordo; (ii) dei guasti o delle fluttuazioni dell'energia elettrica; (iii) l'instabilità o la sospensione della connettività e delle tecnologie di comunicazione; (iv) dei casi di Forza Maggiore e altre inusuali influenze esterne; o (v) delle Variazioni.

#### 5. SERVIZI DI PROGETTAZIONE; DOCUMENTAZIONE

(a) Se compresi come parte dei Servizi, Ilti

dovrà fornire i servizi di progettazione in conformità alle specifiche, secondo gli accordi adottati dalle Parti per iscritto. Fatto salvo quanto diversamente convenuto, tutti i DPI (nella definizione contenuta nella Sezione 10(a)) sui e in riferimento ai risultati derivati dai servizi di progettazione saranno di esclusiva competenza di Ilti o di un suo nominato. Il Cliente non dovrà utilizzare, pubblicare, copiare o rivelare questi DPI senza la preventiva approvazione di Ilti, che può essere concessa dalla stessa subordinatamente a determinate condizioni, tra cui anche il pagamento di una ragionevole commissione.

(b) Tutta la documentazione fornita da Ilti in relazione ai Prodotti e Servizi, compreso qualsiasi manuale o istruzione d'uso, i cataloghi, le schede delle specifiche, i dati, i disegni, i programmi, i progetti, i codici sorgente o qualsivoglia altro documento o informazione ottenuta da Ilti medesima, o da questa creata, in qualunque forma, compreso il formato elettronico o stampato (la "Documentazione"), resterà di proprietà della stessa Ilti. La Documentazione non è venduta al Cliente, ma concessa in licenza, subordinatamente ai termini di licenza contenuti nella Sezione 10 qui di seguito riportata. Fatto salvo quanto diversamente convenuto, tutti i DPI sulla e in riferimento alla Documentazione sono trattenuti da Ilti o da un suo nominato. Il Cliente non dovrà utilizzare, pubblicare, copiare o rivelare la Documentazione, fatto salvo il caso in cui ciò avvenga in accordo alle presenti Condizioni.

#### 6. INSTALLAZIONE; SERVIZI PRESSO IL CANTIERE DI LAVORO

La presente Sezione si applica ai casi in cui Ilti (o il suo subappaltatore) svolgeranno le attività di costruzione, cablaggio o installazione ("Installazione" o "Installare") o altri Servizi presso un cantiere di lavoro posseduto o controllato dal Cliente.

(a) Il Cliente è responsabile del tempestivo completamento dei lavori preparatori e degli allestimenti del cantiere, in conformità con i requisiti imposti da Ilti. Il Cliente, prima dell'avvio presso il cantiere di lavoro dell'Installazione o degli altri Servizi convenuti, in modo che Ilti possa operare nel modo più efficiente possibile ed entro le tempistiche convenute, dovrà: (i) predisporre nel cantiere le necessarie condizioni di lavoro (comprese le infrastrutture) e mantenerle in essere; (ii) fornire tutte le informazioni, istruzioni, ispezioni, autorizzazioni, approvazioni e tutti i permessi necessari e indicare a Ilti l'ubicazione di qualsiasi cavo, linea elettrica, condotta

d'acqua o altri impianti similari, compresi i rilevamenti descrittivi delle caratteristiche fisiche, le limitazioni legali e le ubicazioni delle utenze del cantiere; (iii) agevolare l'accesso al cantiere, regolandone il traffico, ove applicabile; e (iv) mettere a disposizione di Ilti tutti i materiali, gli strumenti, le costruzioni e gli altri impianti, oltre a fornirle qualsiasi altra ragionevole assistenza, in maniera accurata e tempestiva e senza costi aggiuntivi per la stessa Ilti, il tutto in conformità con le leggi applicabili, tra cui tutte le normative applicabili in materia di salute e sicurezza, impianti elettrici ed edilizia.

(b) Il Cliente non dovrà convocare Ilti in cantiere prima che siano stati assolti in modo soddisfacente gli obblighi di cui alla Sezione 6(a). In caso di tempi di attesa pari a più di quattro (4) ore al giorno, per quel giorno Ilti può riprogrammare e addebitare al Cliente una giornata lavorativa completa per le risorse coinvolte.

(c) Alla conclusione dell'Installazione o degli altri Servizi presso il cantiere, Ilti dovrà avvertire il Cliente, in accordo al verbale di accettazione convenuto tra le Parti.

#### 7. RISCHIO E TITOLO

(a) Il rischio di danno o perdita ai Prodotti sarà trasferito al Cliente: (i) all'atto della consegna degli stessi da parte di Ilti a quest'ultimo, in accordo agli INCOTERMS applicabili; o (ii) nel caso in cui Ilti installasse i Prodotti presso il cantiere, salvo quanto diversamente convenuto, alla loro consegna in cantiere.

(b) Il titolo legale ai Prodotti sarà trasferito al Cliente solo quando Ilti (o i suoi finanziatori) abbia(no) ricevuto il totale pagamento di tali Prodotti e, nella misura consentita dalla legge applicabile, abbiano riscosso il totale pagamento di tutte le altre somme dovute dal Cliente stesso ai sensi di qualsivoglia altro accordo con Ilti medesima (o una qualunque delle sue affiliate).

#### 8. FORZA MAGGIORE

Ilti non sarà responsabile di qualsiasi violazione risultante da un caso di Forza Maggiore. Se si verifica un caso di Forza Maggiore, l'ottemperanza degli obblighi da parte di Ilti sarà sospesa per il periodo di durata di tale caso. Per forza "Forza Maggiore" si deve intendere qualsiasi circostanza od occorrenza che vada oltre il ragionevole controllo di Ilti, indipendentemente dal fatto che sia prevedibile o meno nel corso della vigenza di

un Accordo, circostanza in conseguenza della quale la stessa Ilti non possa ragionevolmente ottemperare o assolvere ai propri obblighi, compresi, a solo titolo illustrativo e non limitativo, i casi fortuiti, le catastrofi naturali tra cui il terremoto, il fulmine, l'uragano, il tifone, l'alluvione, le attività vulcaniche o le condizioni atmosferiche estreme, gli scioperi, le serrate, la guerra, gli atti di terrorismo, la situazione politica avversa, i disordini civili, le rivolte, il sabotaggio, il vandalismo, gli ammanchi a livello di intero settore, i guasti di impianti o macchinari, il difetto o la mancanza di energia elettrica, gli attacchi informatici e l'hackeraggio o la non ottemperanza da parte dei fornitori di Ilti o di altri terzi sui quali si fondano i Servizi (compresi i servizi di connettività e comunicazione). Nel caso in cui un caso di Forza Maggiore si protragga (o sia atteso protrarsi da Ilti) per un periodo di tre (3) mesi consecutivi, quest'ultima avrà la facoltà di cancellare un Accordo in essere in toto o in qualsiasi sua parte, senza alcuna responsabilità nei confronti del Cliente

#### 9. GARANZIA LIMITATA ED ESCLUSIONE DI RESPONSABILITÀ

(a) In molti casi i Prodotti Ilti sono venduti subordinatamente a una garanzia limitata standard applicabile, che può essere annessa all'articolo o pubblicata sul sito web della stessa Ilti, quale garanzia standard applicabile a un particolare Prodotto (la "Garanzia Standard di Prodotto"). Per qualsiasi Prodotto venduto da Ilti non subordinato a una Garanzia Standard di Prodotto, quest'ultima garantisce solamente che, per la durata di un (1) anno dalla consegna al Cliente, i Prodotti saranno privi di Difetti. Per "Difetto" (o "Difettoso") si deve intendere, in riferimento a un Prodotto, la condizione per cui sia presente un qualsiasi vizio di materiale o manodopera che faccia in modo che lo stesso non funzioni secondo le specifiche fornite da Ilti, in considerazione della prestazione complessiva del Prodotto stesso e, in riferimento a un Servizio, la condizione per cui lo stesso non sia stato prestato in modo competente e diligente.

(b) Fatto salvo quanto diversamente convenuto dalle Parti, Ilti non fornisce alcuna garanzia per prodotti di terzi. (c) Per avere diritto a presentare un reclamo in garanzia valido, il Cliente dovrà notificare prontamente a Ilti i Prodotti Difettosi o i Servizi Difettosi presunti, prima della scadenza del periodo di garanzia. Nel caso in cui Ilti, a sua esclusiva discrezione, decidesse che un reclamo in garanzia sia valido, entro un periodo di tempo

ragionevole e a sua scelta dovrà riparare od offrire dei prodotti in sostituzione dei Prodotti Difettosi, ovvero sanare o integrare qualsiasi Servizio Difettoso. Se nonostante i ragionevoli sforzi di Ilti un Prodotto Difettoso non può essere riparato, non è possibile fornire un pezzo di ricambio o i Servizi Difettosi non possono essere sanati o integrati, la stessa Ilti dovrà predisporre un idoneo rimborso o accreditare il denaro pagato dal Cliente a fronte di tali Prodotti o Servizi Difettosi. Le riparazioni, le sostituzioni o i risanamenti non prorogheranno o rinnoveranno il periodo di garanzia applicabile. Il Cliente dovrà ottenere il consenso di Ilti riguardo alle specifiche di qualsiasi test che pianifichi di condurre per determinare l'esistenza o meno di un Difetto. I pezzi di ricambio forniti da Ilti possono deviare leggermente da quelli originari, in termini di progetto e/o specifica e ciò non influenzerà la funzionalità dei Prodotti sostituiti. Relativamente a qualsiasi Prodotto sostituito o rimborsato, Ilti, a sua esclusiva discrezione, può pretendere di rientrare in possesso dei prodotti sostituiti o rimborsati e domandare al Cliente di restituirglieli; in alternativa, può chiedere allo stesso Cliente di distruggerli a proprie spese.

(d) Il Cliente dovrà sostenere le spese di accesso al cantiere di lavoro per permettere a Ilti di intervenire in garanzia e porre rimedio ai Difetti e, tra gli interventi, sono inclusi la rimozione e la sostituzione di sistemi, strutture e altre parti dell'impianto del Cliente, lo smontaggio dei Prodotti Difettosi e la reinstallazione dei pezzi di ricambio. Il Cliente non dovrà restituire Prodotti a Ilti senza il suo consenso e senza conformarsi alle applicabili politiche di restituzione di Ilti stessa. Nel caso in cui Ilti decidesse che un reclamo in garanzia non fosse valido, il Cliente sosterrà le spese sostenute da quest'ultima per la movimentazione, i test condotti e il trasporto dei Prodotti restituiti.

(e) Qualsiasi obbligo di indennizzo e garanzia di Ilti di cui a un Accordo è condizionato a: (i) l'idoneo magazzino, montaggio, utilizzo, funzionamento e manutenzione dei Prodotti, tutti in conformità ai manuali d'uso, alle politiche di garanzia e alle altre istruzioni o agli altri termini comunicati da Ilti medesima al Cliente; (ii) la tenuta, da parte del Cliente, di registrazioni accurate e complete del funzionamento e della manutenzione nel corso del periodo di garanzia, a condizione che Ilti abbia accesso a tali registrazioni; e (iii) la modifica o la riparazione dei Prodotti o dei Servizi avvenga solo con l'autorizzazione di Ilti. Il mancato assolvimento delle presenti

condizioni rende la garanzia nulla e invalida. Ilti non sarà responsabile della normale usura e dei test ambientali o degli stress test. La garanzia fornita nella presente Sezione 9 non si applica al danno o al guasto di funzionamento derivanti da qualsiasi caso di Forza Maggiore, nonché da qualsiasi abuso, utilizzo errato o anomalo, una inadatta fornitura di energia elettrica, picchi o fluttuazioni dell'energia, ambienti corrosivi, incuria, esposizione, utilizzo o installazione di qualsiasi genere in violazione delle istruzioni o delle restrizioni imposte da Ilti o da qualsivoglia standard o norma applicabile.

(f) Qualsiasi obbligo di indennizzo e garanzia di Ilti derivante da un Accordo non costituirà, in se stesso, alcuna responsabilità verso terzi o verso il pubblico. Nulla che sia contenuto in un Accordo sarà interpretato con la finalità di creare qualsiasi obbligo, standard di diligenza o responsabilità verso persone o terzi.

(g) Se sono richiesti: un richiamo, un retrofit, un aggiornamento, un ritiro o qualsiasi altra azione correttiva su qualsiasi Prodotto, il Cliente dovrà collaborare appieno e fornire a Ilti l'assistenza di cui potrà avere bisogno. Il Cliente compilerà accurati libri e registrazioni per assicurare la tracciabilità dei Prodotti, in caso di richiamo o di qualsiasi altra azione correttiva.

(h) SUBORDINATAMENTE ALLE ESCLUSIONI E ALLE LIMITAZIONI SPECIFICATE NELL'ACCORDO, E SUBORDINATAMENTE ALLA LEGGE APPLICABILE, LE SEZIONI 9, 11 E 12(b), (c) e (d) SANCISCONO L'INTERA RESPONSABILITÀ DI ILTI E DELLE SUE AFFILIATE, IN RELAZIONE AI PRODOTTI DIFETTOSI O AI SERVIZI DIFETTOSI, INDIPENDENTEMENTE DAL MOMENTO IN CUI IL DIFETTO SI EVIDENZI E DAL FATTO CHE UN RECLAMO, IN QUALSIASI MODO SIA ESSO DESCRITTO, SI FONDI SU UN CONTRATTO, UNA GARANZIA, UN'ASSICURAZIONE, UNA RESPONSABILITÀ PER ATTO ILLECITO O EXTRACONTRATTUALE (COMPRESA LA NEGLIGENZA), UNA RESPONSABILITÀ GRAVE O ALTRO, E SARÀ ESTESA AL SOLO CLIENTE E NON A TERZI DI QUALSIASI GENERE, COMPRESI I CLIENTI, GLI AGENTI O I RAPPRESENTANTI DEL CLIENTE. ILTI DISCONOSCE ESPRESSAMENTE TUTTE LE ALTRE GARANZIE, SIA ESPRESSE CHE IMPLICITE, COMPRESSE, A SOLO TITOLO ILLUSTRATIVO E NON LIMITATIVO, QUALSIASI GARANZIA CONTRO LA VIOLAZIONE E LE GARANZIE IMPLICITE DI COMMERCIALITÀ O IDONEITÀ A

UN PARTICOLARE SCOPO. UNO SCOPO ESSENZIALE DELLE RESPONSABILITÀ ESCLUSIVE LIMITATE E DEI RIMEDI IN GARANZIA È LA DISTRIBUZIONE DEI RISCHI TRA IL TI E IL CLIENTE, LA QUALE È RIFLESSA NEI PREZZI.

#### 10. DIRITTI SUL SOFTWARE, DOCUMENTAZIONE E PROPRIETÀ INTELLETTUALE

(a) Subordinatamente all'assolvimento da parte del Cliente di tutti gli obblighi di cui all'Accordo e delle presenti Condizioni, la fornitura di Prodotti e/o Servizi (compreso il software integrato in detti Prodotti o Servizi) comprende una licenza limitata non esclusiva e non cedibile (senza il diritto di concedere sublicenze) concessa al Cliente sulla base di qualsiasi diritto di proprietà intellettuale (compresi i brevetti, i modelli di utilità, i progetti registrati e non registrati, i copyright, i diritti sulle banche dati, i marchi di fabbrica, i nomi di dominio, i segreti commerciali, i know-how, i diritti di topografia dei CI a semiconduttori, nonché tutte le registrazioni, richieste, proroghe, combinazioni, divisioni, continuazioni o riemissioni di uno qualunque dei sopraccitati, qui collettivamente denominati "DPI" (Diritti di Proprietà Industriale)) di Ilti, nella misura limitata in cui tali DPI siano incorporati o integrati nei Prodotti o Servizi acquistati, ai fini di utilizzare o rivendere i Prodotti (compresa la loro Documentazione), come venduti dalla stessa Ilti e/o, per i Servizi, ai fini di utilizzare detti Servizi (compresa la Documentazione) nel corso della vigenza dell'Accordo applicabile, in conformità alla descrizione degli stessi di cui si tratti. Non è conferito al Cliente o a terzi alcun diritto ai DPI che sia diverso da quelli esplicitamente concessi ai sensi dell'Accordo o delle presenti Condizioni.

(b) Il Cliente prende atto che il DPI relativo ai Prodotti o ai Servizi può essere di proprietà di terzi. Il Cliente dovrà riprodurre, senza alcuna correzione o modifica, qualsiasi legenda descrittiva di qualsivoglia diritto di proprietà esclusiva di Ilti o di fornitori terzi, riportato in qualsiasi software o Documentazione fornita da quest'ultima.

(c) Ilti sarà libera di utilizzare in qualsiasi modo o forma qualsivoglia idea, suggerimento, indicazione post-vendita o raccomandazione ricevuta dal Cliente relativamente ai prodotti o ai Servizi (il "Feedback"), senza dover pagare al Cliente stesso una royalty o un'altra controprestazione. Ilti sarà proprietaria di tutti i DPI sul Feedback. Ilti ha la facoltà di utilizzare i risultati, i prodotti finali e le creazioni

derivanti dalla presentazione dei Servizi per la sua pubblicità o per scopi promozionali.

#### 11. INDENNIZZO PER DIRITTI DI PROPRIETÀ INTELLETTUALE

(a) Il Cliente dovrà prontamente notificare a Ilti qualsiasi reclamo di terzi che sostenga che qualunque Prodotto e/o Servizio a lui fornito dalla stessa Ilti sia violativo di qualsivoglia DPI di terzi. Al ricevimento di tale notifica, Ilti, a propria scelta e spesa, può: (i) procurare al Cliente il diritto di continuare a utilizzare tale Prodotto e/o Servizio; (ii) fornire un pezzo di ricambio non violativo per tale Prodotto, di funzionalità equivalente; (iii) modificare tale Prodotto in modo che non sia più violativo; (iv) sanare tale Servizio; o (v) predisporre un idoneo rimborso o accreditare il denaro pagato dal Cliente per tale Prodotto e/o Servizio.

(b) Nel caso in cui un reclamo presentato ai sensi della Sezione 11(a) sfoci in un qualunque procedimento legale, il Cliente dovrà conferire a Ilti la piena autorità, a scelta e a spese di quest'ultima, di comporre tale vertenza o condurne la difesa. Il Cliente dovrà fornire a Ilti tutta l'assistenza che quest'ultima potrà ragionevolmente necessitare in relazione alla difesa da tale reclamo. Il Cliente non dovrà addivenire ad alcuna composizione in relazione a un qualunque reclamo di tal genere, né sostenere alcun costo o spese per conto di Ilti, senza il preventivo consenso di quest'ultima.

(c) Subordinatamente alle disposizioni contenute nelle Sezioni 11 e 12, Ilti dovrà risarcire il Cliente in riferimento a qualsiasi sentenza definitiva di risarcimento di danni emessa da un tribunale della competente giurisdizione, che sostenga che i Prodotti e/o i Servizi forniti da Ilti medesima ai sensi di un Accordo violano direttamente i DPI di terzi qualsiasi, a condizione che la violazione sia da ritenersi direttamente ed esclusivamente attribuibile all'utilizzo da parte del Cliente dei Prodotti e/o dei Servizi come forniti da Ilti ai sensi dell'Accordo.

(d) Nonostante qualsiasi indicazione del contrario disposta nell'Accordo, Ilti non sarà responsabile di, e i suoi obblighi specificati nella presente Sezione 11 non si applicheranno a: (i) qualsiasi reclamo di violazione di DPI di terzi risultante dalla conformità con il progetto, i disegni, le specifiche o le istruzioni del Cliente; (ii) l'utilizzo di qualsiasi Prodotto, risultato e/o Servizio non in accordo alle sue specifiche o qualsiasi reclamo fondato su, o risultante da, qualsiasi modifica o adattamento di un Prodotto, risultato e/o Servizio effettuati dal, o per conto del, Cliente; (iii) qualsiasi DPI di terzi che copra qualunque

assemblaggio, circuito, combinazione, metodo o processo, nella fabbricazione, nel testing o nell'applicazione in cui tali Prodotti e/o Servizi forniti da Ilti possano essere stati utilizzati; o (iv) qualsiasi reclamo di violazione risultante dalla conformità con uno standard industriale che si applichi ai Prodotti o ai Servizi.

(e) Relativamente a qualsiasi reclamo di violazione previsto dalla Sezione 11(d), il Cliente dovrà indennizzare pienamente Ilti rispetto a qualunque sentenza di risarcimento di danni a fronte di qualsivoglia violazione di tal genere e dovrà rimborsare tutte le spese sostenute da quest'ultima per la difesa da qualunque azione legale o procedimento avente a oggetto tale violazione, a condizione che la stessa Ilti trasmetta prontamente al Cliente una notifica scritta che lo informi di tale azione o procedimento per violazione e, se così richiesto, concedergli la piena autorità di condurne la difesa.

(f) Nel caso in cui Ilti ricevesse una notifica che sostenesse una violazione di DPI di terzi in relazione a qualsiasi Prodotto e/o Servizio fornito o da fornirsi ai sensi di un Accordo, la stessa Ilti, per limitare o evitare la responsabilità, può risolvere l'Accordo stesso, sospendere o interrompere la fornitura o la prestazione al Cliente dei Prodotti e/o Servizi, ovvero delle parti a cui tale notifica si riferisce, e la stessa non sarà ritenuta responsabile nei confronti del Cliente in virtù di tale risoluzione, sospensione o interruzione.

(g) Subordinatamente alle esclusioni e limitazioni specificate nella Sezione 12, quanto esposto sopra illustra l'intera responsabilità di Ilti per il caso di violazione di DPI di terzi in relazione alla fornitura dei Prodotti e /o dei Servizi.

#### 12. LIMITAZIONE DI RESPONSABILITÀ

(a) LA RESPONSABILITÀ DI ILTI E DELLE SUE AFFILIATE RELATIVA A TUTTI I RECLAMI DI QUALSIASI GENERE DERIVANTI DA, O CONNESSI A, LA FORNITURA DI PRODOTTI O DI SERVIZI AL CLIENTE, O IN ALTRO MODO DA UN ACCORDO, COMPRESI QUALSIASI INDENNIZZO, PENALE O LIQUIDAZIONE ANTICIPATA DEL DANNO (I "RECLAMI"), SARÀ LIMITATA A UN TOTALE COMPLESSIVO MASSIMO (IL "MASSIMALE DI RESPONSABILITÀ") PARI AL: (I) VENTI PERCENTO (20%) DEL PREZZO TOTALE PAGATO DAL CLIENTE PER I PRODOTTI E/O I SERVIZI A CUI TALI RECLAMI SI RIFERISCONO, OPPURE (II) 2.000.000,00 DI EURO, A SECONDA DI QUALE SARÀ L'IMPORTO

INFERIORE. PER I SERVIZI PRESTATI SULLA BASE DI FASI SPECIFICHE, PERIODI DI TEMPO PREFISSATI O STATI DI AVANZAMENTO (GLI “STATI D’AVANZAMENTO”, EVENTUALMENTE INDICATI IN UN ACCORDO, IL MASSIMALE DI RESPONSABILITÀ SARÀ ULTERIORMENTE LIMITATO AL VENTI PERCENTO (20%) DEL PREZZO TOTALE PER CIASCUNO DI TALI STATI D’AVANZAMENTO, PER TUTTI I RECLAMI DERIVANTI DA, O RELATIVI A, DETTI STATI. (b) In nessuna circostanza Ilti sarà responsabile di qualsiasi mancato profitto, mancati risparmi, perdita di dati, reputazione o avviamento, danni indiretti, accessori, punitivi, speciali o consequenziali, indipendentemente dal fatto che tali danni siano basati su un illecito, una garanzia, un contratto o altro – anche se Ilti è stata avvertita o è al corrente della possibilità di occorrenza di tali danni.

(c) Per avere il diritto di presentare un Reclamo valido, il Cliente dovrà notificare a Ilti qualsiasi Reclamo di tal genere entro trenta (30) giorni dalla data dell’evento che vi ha dato luogo e qualsiasi azione legale relativa a un Reclamo deve essere depositata entro un (1) anno dalla data di tale notifica. I Reclami che non siano stati presentati o depositati in conformità al comma precedente saranno nulli e invalidi.

(d) Le limitazioni e le esclusioni di responsabilità si applicheranno solo nella misura in cui siano consentite dalla legge vincolante applicabile.

### 13. RISERVATEZZA

Il Cliente dovrà mantenere riservata qualsiasi informazione tecnica, commerciale e finanziaria, compresa qualsivoglia Offerta e le condizioni (di prezzo), gli altri dati rivelatigli da Ilti e qualunque Feedback, e non dovrà rivelare tali informazioni a terzi e utilizzarle per qualsiasi scopo diverso da quello convenuto dalle Parti e in riferimento all’Offerta e/o all’Accordo.

### 14. CONTROLLI DI ESPORTAZIONI/ IMPORTAZIONI

(a) Talune transazioni di Ilti possono essere subordinate alle leggi e alle normative in materia di controllo delle esportazioni o delle importazioni, che vietano o limitano la (ri) esportazione o la cessione di determinati articoli a determinati Paesi, entità o individui, come le leggi e le normative delle NU, dell’UE e degli USA (le “Normative sull’Esportazione”). La (ri)esportazione o la cessione di Prodotti e/o Servizi, nonché l’assistenza, l’addestramento, gli investimenti, l’assistenza finanziaria, il brokeraggio e la concessione in licenza di tecnologia sono

subordinati, in tutti i loro aspetti, alle Normative sull’Esportazione applicabili e alla giurisdizione delle corrispondenti autorità responsabili di tali Normative. Qualora una qualsiasi di tali (ri)esportazioni o cessioni richiedesse una licenza di esportazione o importazione, o sia in altro modo vietata o limitata dalle Normative sull’Esportazione, Ilti, a sua esclusiva discrezione, può sospendere i propri obblighi nei confronti del Cliente fino a che tale licenza non sia stata concessa o per tutta la durata di uno qualunque di tali restrizioni o divieti, ovvero risolvere l’Accordo (o la parte di esso a ciò relativa), senza dover sostenere alcuna responsabilità.

(b) Qualora i Prodotti e/o i Servizi siano (ri) esportati o ceduti a terzi, il Cliente dovrà imporre a tali terzi tutte le restrizioni in materia di controllo delle esportazioni. Su richiesta di Ilti e se preteso dalle Normative sull’Esportazione applicabili, il Cliente dovrà informare la stessa Ilti di qualsiasi (ri) esportazione o cessione dei Prodotti, ai fini di ottemperare a dette Normative e di assolvere a qualsivoglia altra responsabilità legale che regga la vendita dei Prodotti, compresi i requisiti di tracciabilità degli stessi che possono applicarsi a Ilti medesima. Il Cliente non dovrà fornire alcuna dichiarazione o certificazione a sostegno di pratiche commerciali restrittive o boicottaggi.

### 15. CESSIONE

(a) Il Cliente non può cedere un Accordo, né uno qualsiasi dei suoi diritti od obblighi da esso derivanti, senza il preventivo consenso di Ilti.

(b) Ilti può delegare, cedere, vendere, novare o subappaltare, in toto o in parte, i propri obblighi e diritti (compresi i crediti esigibili) ai sensi di qualsiasi Accordo, a una qualunque delle sue affiliate o a terzi, senza il preventivo consenso del Cliente – e qualora tale consenso fosse richiesto ai sensi della legge applicabile, tale consenso è qui fornito – caso nel quale il Cliente dovrà collaborare con Ilti e coadiuvarla nei suoi sforzi, fornendo anche le relative informazioni, preparando documenti ed effettuando pagamenti su conti o a terzi, se richiesto dalla stessa Ilti tramite notifica.

### 16. OTTEMPERANZA DELLE LEGGI; LOTTA ALLA CORRUZIONE

(a) Il Cliente deve sempre ottemperare, e intraprendere tutte le misure ragionevolmente necessarie per assicurare che i suoi partner commerciali ottemperino, a tutte le leggi e le normative applicabili, sia locali che internazionali, comprese quelle contro la corruzione e l’abuso d’ufficio e a tutte le

Normative sull’Esportazione (con particolare riguardo al Decreto Legislativo italiano 231/01, comprese le modifiche a esso introdotte di volte in volta). Di conseguenza il Cliente dovrà condurre la sua attività commerciale in modo onesto e non perpetrare atti di corruzione o di abuso d’ufficio. (b) Nel caso in cui Ilti ricevesse qualsiasi notizia di una violazione degli obblighi specificati nel Paragrafo (a), il Cliente dovrà collaborare con la stessa e fornirle tutte le informazioni richieste per permetterle di verificare tali notizie; qualora fosse rinvenuta una tale violazione, sarà di applicazione la Sezione 18

### 17. SALUTE E SICUREZZA

(a) Le Parti dovranno ottemperare a tutte le leggi, le regole e/o le normative applicabili in materia di salute e sicurezza degli operai e/o degli impiegati e, inoltre, di salute e sicurezza della popolazione abitante nei pressi delle sedi. Il Cliente dovrà fornire, e fare il modo che i suoi dipendenti, agenti, appaltatori o subappaltatori forniscano, degli ambienti di lavoro sicuri per il Personale e gli altri rappresentanti e dovrà adottare le misure prescritte dalla legge, nonché qualsiasi altra misura necessaria a prevenire gli incidenti sul luogo di lavoro e assicurare la salute e la sicurezza del Personale presso i cantieri. Il Cliente dovrà informare tempestivamente il Personale in merito alle misure di sicurezza che sono richieste e avvisare Ilti di tutti i requisiti e le procedure di salute, sicurezza, difesa e tutela dell’ambiente specifici di un determinato cantiere. Ilti ha il diritto, ma non l’obbligo, di verificare e ispezionare di tanto in tanto la documentazione, le procedure e le condizioni di cantiere applicabili, riguardanti la salute, la sicurezza, la difesa e la tutela ambientale.

(b) Il Cliente dovrà assicurare che presso i cantieri non siano presenti materiali pericolosi. Qualora fossero presenti materiali pericolosi, Qualora, secondo la ragionevole opinione di Ilti, la salute, la sicurezza o la difesa del Personale o del cantiere siano, o possano essere messe a repentaglio da rischi alla sicurezza, atti terroristici o minacce, dalla presenza di materiali pericolosi o dalla minaccia di un’esposizione a essi, ovvero a delle condizioni di lavoro non sicure, la stessa Ilti, oltre agli altri diritti e rimedi posti a sua disposizione, può evacuare una parte o tutto il Personale dal cantiere (con la ragionevole assistenza del Cliente), sospendere l’esecuzione di tutto o di qualsiasi parte dell’Accordo, e/o prestare o supervisionare da remoto i Servizi (se possibile), senza ulteriore responsabilità verso il Cliente.

(c) Le condizioni vigenti presso un cantiere che differiscano in modo sostanziale da quelle comunicate dal Cliente, oppure le condizioni fisiche che non fossero note in precedenza rinvenute presso un cantiere e sostanzialmente diverse da quelle normalmente presenti e riconosciute in generale come tipiche di un lavoro di tale tipo, secondo quanto disposto dall'Accordo, saranno considerate una Variazione.

## 18. VIOLAZIONE; SOSPENSIONE; RISOLUZIONE

(a) Nel caso in cui: (i) il Cliente commetta la violazione di una qualunque disposizione contenuta nell'Accordo o nelle presenti Condizioni, compreso qualsivoglia mancato pagamento di qualsiasi somma, secondo le modalità e nel momento in cui sia dovuta; (ii) secondo la ragionevole opinione di Ilti, sia probabile che la situazione finanziaria del Cliente (o un cambiamento sostanziale della situazione stessa) possano influenzare la sua capacità di assolvere ai propri obblighi derivanti dall'Accordo; (iii) sia avviato dal Cliente o contro di lui qualsiasi procedimento di insolvenza, fallimento (compresa la riorganizzazione), liquidazione o cessazione, presentato o avviato dal Cliente (volontariamente o involontariamente), venga nominato un amministratore fiduciario o un liquidatore per conto del Cliente o sia effettuata una qualsiasi cessione a beneficio dei creditori del Cliente medesimo; (iv) il Cliente cessi o minacci di cessare di svolgere la propria attività commerciale; oppure (v) il controllo esercitato sul Cliente o sulla proprietà del Cliente subisca mutamenti, Ilti può dichiarare immediatamente dovute e da versarsi tutte le somme in sospeso di pagamento da parte dello stesso Cliente e può compensare qualsiasi somma da essa medesimo (o da una qualunque delle sue affiliate) dovuta al Cliente ai sensi di qualsivoglia accordo, compreso qualsiasi pagamento anticipato o deposito effettuato dal Cliente, a fronte delle somme dovute ai sensi della Sezione 18(b). Inoltre Ilti, a sua esclusiva discrezione e tramite una notifica indirizzata al Cliente, può sospendere o cancellare con effetto immediato qualsiasi prestazione da essa dovuta (compresi la produzione, la consegna, l'installazione e il collaudo di Prodotti, gli obblighi ai sensi della garanzia e la prestazione di Servizi) o risolvere l'Accordo o qualsiasi sua parte, senza alcuna responsabilità, e/o sospendere o cancellare qualsiasi condizione di credito offerta al Cliente medesimo. Ilti può fare uso del diritto di risolvere un Accordo solo ai sensi della presente Sezione se, in

riferimento a un evento di cui al Paragrafo (i) soprariportato che possa essere rimediato, il Cliente non rimedia la violazione entro quattordici (14) giorni, oppure, in riferimento a un evento di cui al Paragrafo (ii), il Cliente non fornisce a Ilti una garanzia bancaria o di altro genere che la soddisfi, entro quattordici (14) giorni.

(b) Il Cliente dovrà indennizzare, difendere e mantenere indenne Ilti e le sue affiliate, compresi i loro funzionari, direttori, agenti, dipendenti, successori e cessionari, da e contro tutte le perdite (comprese quelle di profitto o di volume d'affari), responsabilità, spese (comprese quelle legali e quelle sostenute in relazione ai prodotti non finiti), nonché le spese derivanti o legate a uno qualsiasi dei seguenti eventi: (i) la violazione da parte del Cliente di qualunque disposizione od obbligo di cui all'Accordo o alle presenti Condizioni, o il verificarsi di uno qualsiasi degli altri eventi specificati nella Sezione 18(a); (ii) qualsiasi rivendicazione da parte di terzi in ordine a qualsivoglia perdita, danno, infortunio o decesso effettivamente o presuntamente provocati da un uso negligente, dall'applicazione o dall'installazione di Prodotti, ovvero cagionati da qualsivoglia modifica apportata ai Prodotti o dall'integrazione dei Prodotti in altri prodotti senza l'autorizzazione di Ilti, da parte del Cliente o dai suoi appaltatori, dai suoi agenti, dalle sue affiliate o dai suoi clienti a cui abbia venduto i Prodotti; ovvero (iii) la mancata ottemperanza da parte del Cliente della Sezione 7(b), per la quale le spese conseguenti all'evento comprenderanno le spese totali di sostituzione dei prodotti, dei sistemi o di oltre apparecchiature.

(c) All'atto della risoluzione (anticipata) o della scadenza di un Accordo: (i) tutti i diritti e le licenze concessi al Cliente ai sensi di tale Accordo cesseranno immediatamente; (ii) il Cliente dovrà restituire, cancellare (anche da tutti i dischi rigidi e le memorie) o distruggere (e un funzionario debitamente autorizzato dovrà certificare tale distruzione) tutte le informazioni rivelate ai sensi della Sezione 13, compreso il software non integrato nei Prodotti, più tutte le copie degli stessi; (iii) il Cliente dovrà restituire a Ilti, a proprie spese, qualsiasi Prodotto per il quale il titolo (legale) non sia stato ceduto al Cliente stesso (in accordo alla Sezione 7) e qualsiasi altro prodotto, sistema o apparecchiatura fornita e/o utilizzata dalla stessa Ilti per la prestazione dei Servizi; e (iv) saranno considerati dovuti, da pagarsi e non rimborsabili tutti i ragionevoli costi e le spese sostenuti da Ilti (compreso un ragionevole profitto) in riferimento a qualsiasi attività

legata al lavoro da essa svolto prima di tale risoluzione. (d) Nel caso in cui una sospensione perduri per più di due (2) mesi, le disposizioni contenute nella Sezione 18(c)(iv) saranno applicabili anche a qualsiasi attività legata al lavoro svolto da o per Ilti precedentemente a tale sospensione. (e) I diritti di Ilti ai sensi della presente Sezione 18 saranno in aggiunta a qualsiasi altro diritto e rimedio che quest'ultima potrà avere a disposizione secondo il diritto o le norme equitative. In caso di risoluzione di un Accordo, i termini e le condizioni destinate a sopravvivere a tale risoluzione o scadenza sopravvivranno. La risoluzione non avrà effetto sui diritti delle Parti maturati fino alla data della risoluzione stessa.

## 19. LEGGE APPLICABILE E FORO COMPETENTE

(a) Tutti gli Accordi, le Offerte e le presenti Condizioni sono regolate dalle leggi vigenti in Italia, con l'esclusione del conflitto tra principi di legge. Qualsiasi azione legale o procedimento derivante da, o in relazione a, un Accordo, un'Offerta o le presenti Condizioni, che non possano essere risolti tramite la consultazione in buona fede entro trenta (30) giorni dalla notifica dell'una o dell'altra Parte che rende nota l'esistenza della controversia, saranno intentati esclusivamente presso i Tribunali di Milano, Italia, a condizione che a Ilti sia sempre consentito di intentare qualsiasi azione o procedimento contro il Cliente in qualsiasi altro tribunale della competente giurisdizione. La Convenzione delle Nazioni Unite sui Contratti per la Vendita Internazionale di Merci non sarà applicabile.

(b) Nulla che sia contenuto nella presente Sezione 19 sarà considerato o interpretato come una limitazione del diritto spettante all'una o all'altra Parte, ai sensi della legge applicabile, di ricorrere a un rimedio ingiuntivo o ad altra equa riparazione, intentare qualsivoglia azione per salvaguardare la propria possibilità di ricorrere contro l'altra Parte o di intentare un'azione o un procedimento in relazione a qualsiasi mancato pagamento di qualunque somma, nella modalità e nel momento in cui sia dovuta.

## 20. PRIVACY E USO DEI DATI

(a) Ciascuna Parte dovrà ottemperare a tutte le leggi applicabili sulla protezione dei dati. Fatto salvo quanto diversamente concordato tra le Parti, Ilti (o i suoi subappaltatori) non elaboreranno informazioni relative a qualsiasi persona fisica identificata o identificabile (i "Dati Personali") per il Cliente o per suo conto. (b) Il Cliente prende atto e conviene

che Ilti e le sue società affiliate (o i loro rispettivi subappaltatori) possono raccogliere informazioni e dati generati dai Prodotti e dai Servizi (anche riguardo a prodotti, servizi o sistemi di terzi, forniti in unione con i Prodotti e/o i Servizi) e/o il loro uso (i “Dati d’Uso”). Ilti ha la facoltà di utilizzare i Dati d’Uso, gratuitamente e in qualsiasi momento nel corso della vigenza di un Accordo e anche in seguito, a sua esclusiva discrezione e per qualsivoglia scopo, anche aggregando o compilando i Dati d’Uso con altri dati, creare DPI o lavori derivati, ovvero modificare o adattare detti Dati d’Uso per fornire, manutendere e migliorare prodotti e servizi e sviluppare nuovi prodotti, caratteristiche o servizi.

#### 21. DISPOSIZIONI VARIE

(a) L’invalidità o l’inapplicabilità di qualsiasi disposizione contenuta nelle presenti Condizioni o in un Accordo non avrà effetto sulla validità o l’applicabilità di qualsiasi altra disposizione degli stessi e tutte le altre disposizioni resteranno in pieno vigore ed effetto. Nel caso in cui sia rinvenuta una tale invalidità o inapplicabilità, le Parti dovranno fare del proprio meglio per sostituire la(e) disposizione(i) invalida(e) o inapplicabile(i) tramite la(e) disposizione(i) efficace(i) che corrisponda(ano) più da vicino all’intenzione originaria della(e) disposizione(i) così invalidata(e). Subordinatamente a una ragionevole notifica, il Cliente dovrà assistere Ilti nella verifica della propria ottemperanza dell’Accordo.

(b) Qualsiasi diritto di Ilti specificato nelle presenti Condizioni sarà senza pregiudizio a qualsiasi diritto o rimedio che possa spettare a quest’ultima ai sensi dell’Accordo, della legge o delle norme equitative. Il Cliente prende atto che Ilti Luce s.r.l. , e qualsivoglia sua affiliata, sono da intendersi dei beneficiari terzi ai fini di tutti i benefici di cui all’Accordo e possono applicare le disposizioni di quest’ultimo, comprese le seguenti Condizioni, ove applicabili. La mancanza o il ritardo dell’una o dell’altra Parte ad applicare qualsiasi disposizione contenuta nelle presenti Condizioni o in un Accordo non costituirà una rinuncia a tale disposizione o alla sua applicazione. (c) I termini di un Accordo (comprese le seguenti Condizioni e qualsiasi altro termine e condizione che costituisca parte integrante delle stesse) enunciano l’intera intesa e l’intero accordo tra le Parti relativamente alla vendita dei prodotti e alla prestazione dei Servizi di cui all’Accordo stesso e supereranno qualsivoglia precedente promessa, pattuizione, dichiarazione, impegno

o implicazione, sia orali che scritti, tra Ilti e il Cliente in riferimento al suo oggetto. Le Parti prendono espressamente atto che, nella stipula di un Accordo, non è stato fatto affidamento su alcuna dichiarazione che non sia stata inserita nell’Accordo stesso. Non sarà vincolante per le Parti alcuna modifica a un Accordo se non avrà forma scritta e se non sarà sottoscritta da un rappresentante autorizzato di ciascuna delle Parti.

(d) I prezzi e i termini sono subordinati alla correzione di eventuali errori tipografici o di trascrizione.

#### 22. TRACCIABILITÀ DEI FLUSSI FINANZIARI

(a) Se un appalto pubblico è aggiudicato a una delle Parti (“aggiudicazione di procedura ad evidenza pubblica”), ai sensi dell’Articolo 3 della Legge italiana 136/2010, comprese le modifiche di volta in volta apportate, le Parti si assumono tutti gli obblighi riguardanti la tracciabilità dei flussi finanziari; in caso contrario, il presente accordo sarà considerato nullo e invalido. (b) Inoltre, le Parti si impegnano a notificare all’autorità appaltatrice e alla competente “Prefettura – Ufficio Territoriale” qualsiasi mancato assolvimento degli obblighi menzionati nel Paragrafo (a) di cui sopra.



ART DIRECTION AND GRAPHIC DESIGN

NEMO studio

PHOTOS

Alexander Böhle Photo Production |

Andrea Fongo | Claude Weber |

Cube Photo Production

*This document supersedes and updates all previous catalogues and publications in relation to the products listed here in.*

*Questa pubblicazione sostituisce ed aggiorna i precedenti cataloghi con riferimento ai prodotti elencati.*



*The updated list of UL and ETL marked products and relevant technical information are available on the website: [NEMOLIGHTING.COM/USA/](http://NEMOLIGHTING.COM/USA/)*



# NEMO STUDIO

---

## NEMO STUDIO by ILTI LUCE

Lungo Dora Pietro Colletta, 113/9,  
10153 Turin - ITALY  
Tel +39 011 765 73 01  
nemostudio@nemolighting.com

## NEMO HEAD OFFICE

Viale Brianza, 30,  
20823 Lentate s/S - ITALY  
Tel +39 0362 166 050 0  
info@nemolighting.com

## NEMO GALLERIA MILANO

Corso Monforte 19/A,  
20122 Milan  
Tel +39 02 970 703 40  
monforte@nemolighting.com

## NEMO STUDIO MILANO

Via Borgonuovo 19,  
20121 Milan  
studio@nemolighting.com

---

## NEMO FRANCE

Zac Paris Nord II 13,  
Rue de la Perdrix  
BP 52352 - 95942  
ROISSY CDG Cedex  
Tel +33 (0)1 486 300 77  
france@nemolighting.fr  
nemolighting.com/fra/

## NEMO GALERIE PARIS

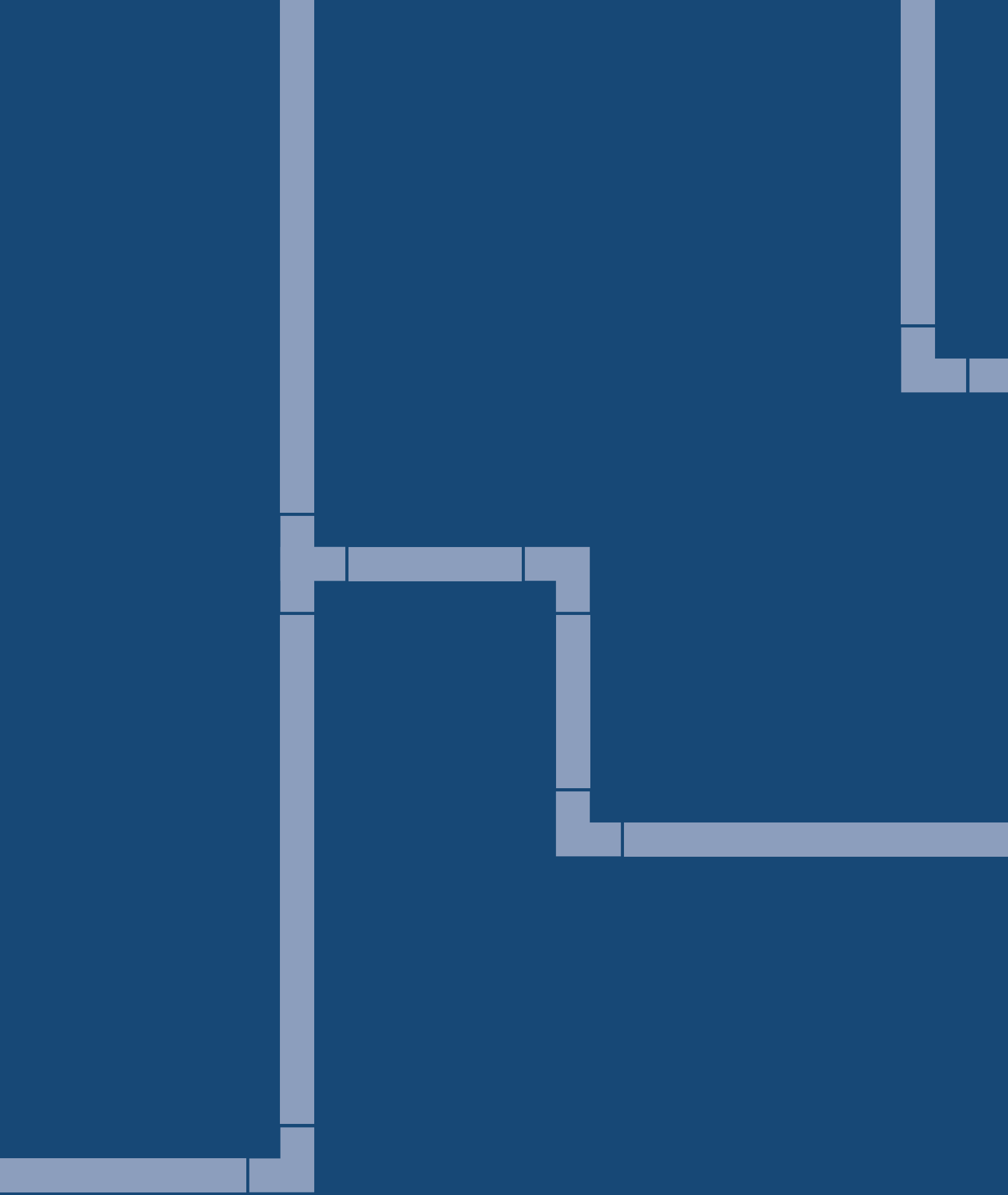
19, Rue du Bac  
75007 Paris  
Tel +33 (0)1 40 20 47 69  
ruedubac@nemolighting.fr

---

## NEMO USA

625 Jersey Avenue, Unit 7  
New Brunswick, NJ 08901  
Tel 800 734 5858  
usa@nemolighting.com  
nemolighting.com/usa/





[NEMOLIGHTING.COM](http://NEMOLIGHTING.COM)